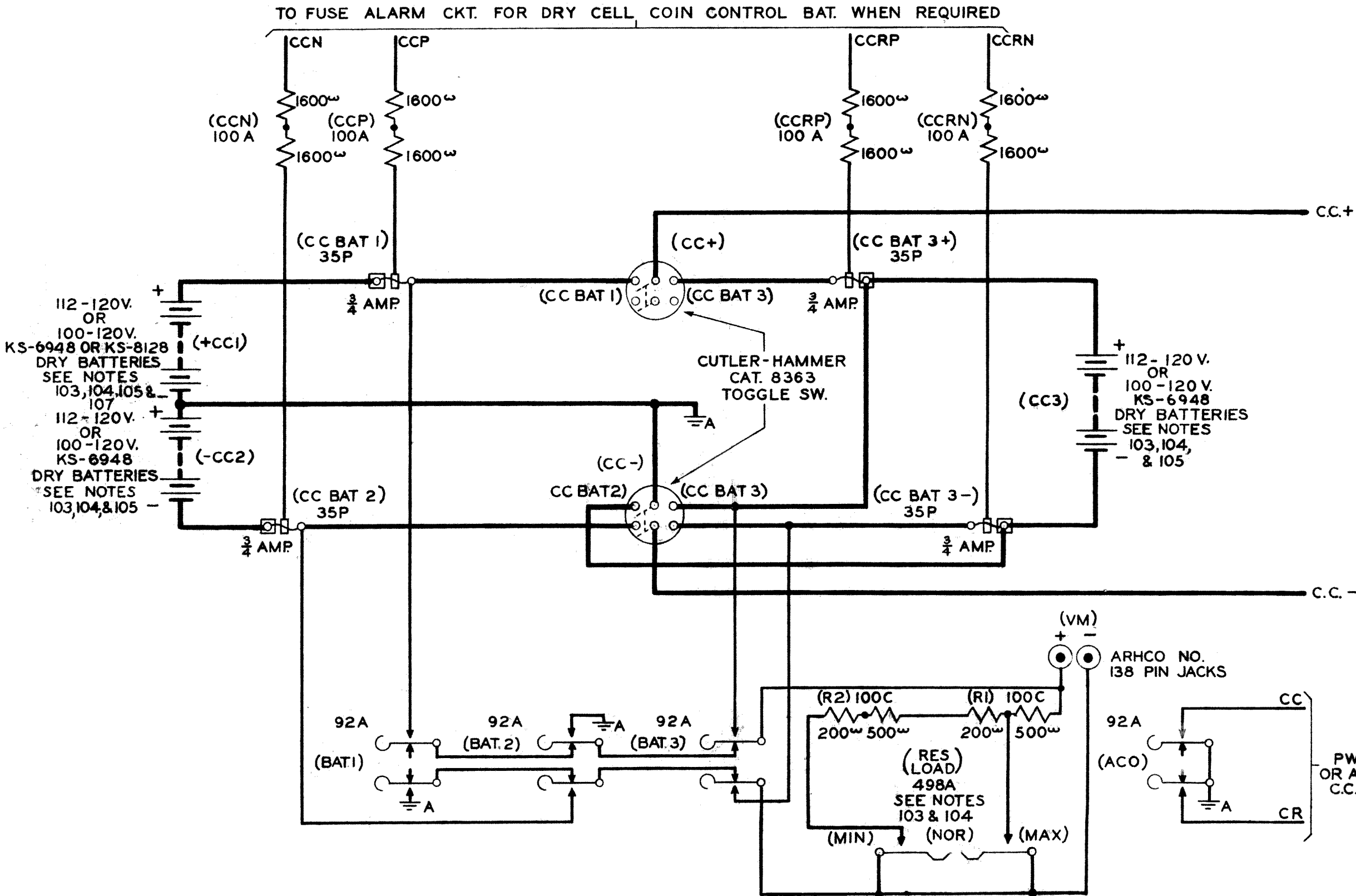


FIG. 1
SEE NOTE 106.

CIRCUIT NOTES: (CONT.)
107. THE LARGER CAPACITY KS-8128 BATTERIES ARE SHOWN ONLY IN THE CC+ OR COLLECT SUPPLY.

DWG. ISS.	C.D. ISSUE	DATE ISSUED	APPROVED
1	1	12-17-36	A.E.P.
2-D	APR1-D	3-24-37	A.E.P.
3-D	APP2-D	8-6-37	A.E.P.
4-D	APP3-D	8-26-38	A.E.P.
5-D	APP4-D	12-16-40	A.E.P.



CIRCUIT NOTES:
101.

102. FURNISH ONE NO.14 GROUND LEAD FROM RELAY RACK FOR GROUND DESIGNATED "A".
103. FOR 100-120V. OPERATION THE BATTERIES SHALL BE TESTED AS FOLLOWS:
(A) WITH THE (RES LOAD) KEY IN THE (NOR) POSITION THE MAXIMUM OPEN CIRCUIT VOLTAGE OF THE BATTERY SHALL BE 120V.
(B) OPERATE THE (RES LOAD) KEY TO THE (MAX) POSITION AND DEPRESS THE VOLTMETER KEY. AT THE END OF 10 SECONDS THE BATTERY VOLTAGE SHALL NOT BE BELOW 100V.

104. FOR 112-120V. OPERATION THE BATTERIES SHALL BE TESTED AS FOLLOWS:
(A) OPERATE THE (RES LOAD) KEY TO THE (MIN) POSITION AND DEPRESS THE VOLTMETER KEY MOMENTARILY. THE BATTERY VOLTAGE SHALL NOT EXCEED 120V.
(B) OPERATE THE (RES LOAD) KEY TO THE (MAX) POSITION AND DEPRESS THE VOLTMETER KEY. AT THE END OF 10 SECONDS THE BATTERY VOLTAGE SHALL NOT BE BELOW 113V.
105. WHEN ALL THE CELLS IN THE BATTERIES HAVE BEEN PLACED IN CIRCUIT AND FAIL TO MEET THE TESTS COVERED UNDER (A) AND (B) IN NOTES 103 OR 104, THESE BATTERIES SHALL BE REPLACED.
106. CONNECT FUSE ALARM LEADS ONLY WHEN CC NO VOLTAGE ALARM IS NOT AVAILABLE.

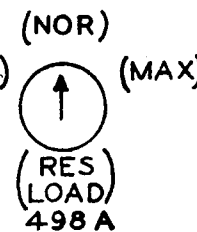
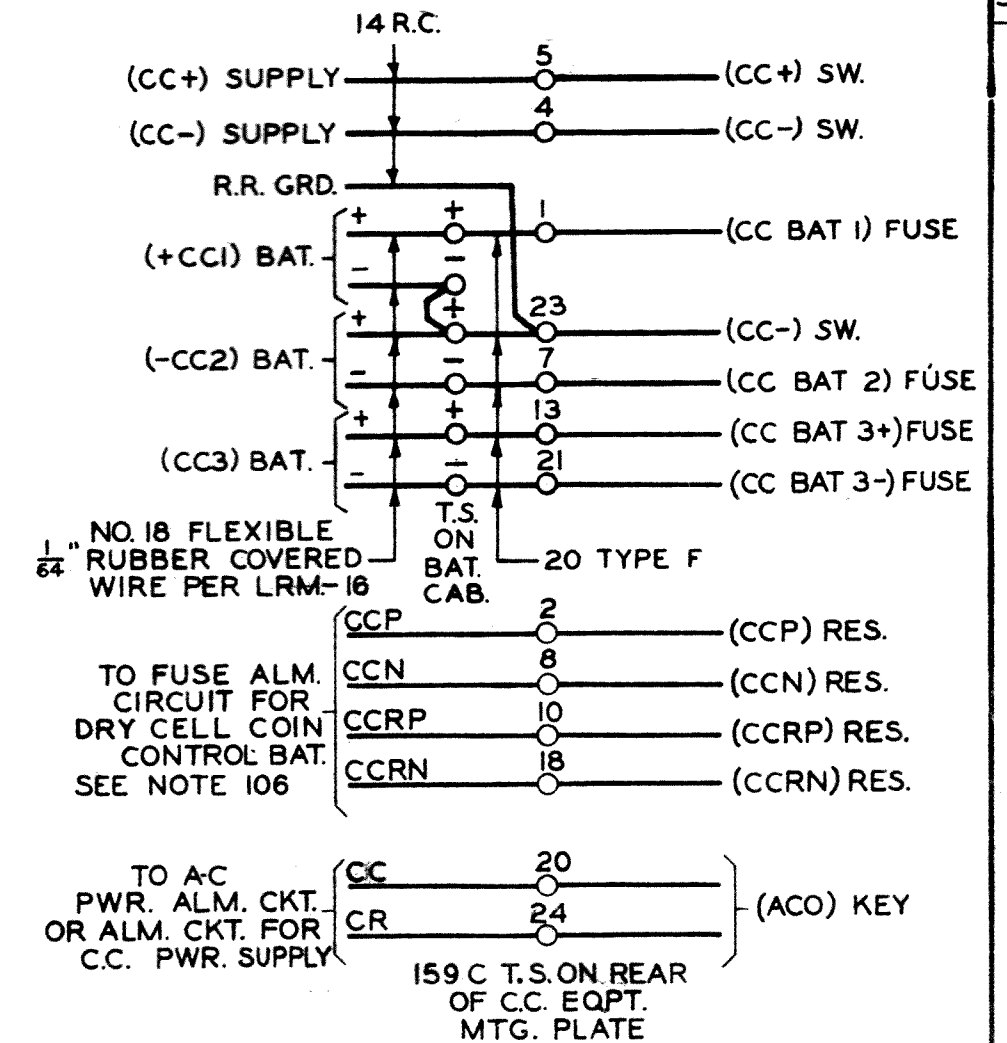


FIG. 1K



EQUIPMENT NOTES:
201 UNLESS OTHERWISE SPECIFIED, ALL LEADS SHALL BE 20 E S C/B (MFR. DISC.) OR 20 TYPE AF.

REPLACING SD-80482-01

SD-80634-01

POWER SYSTEMS
DISCHARGE CIRCUIT
COIN CONTROL SUPPLY
USING KS-6948 OR KS-8128
DRY BATTERY UNITS

AT&TCO
STANDARD

SD-80634-01

BELL TELEPHONE LABORATORIES, INC.

PRINTED IN U. S. A.

M

SD-80634-01