

KEY TELEPHONE SYSTEM NO. 1A AUTOMATIC EXCLUSION CIRCUIT

FIG. 1
AUTOMATIC EXCLUSION CIRCUIT
KEY TELEPHONE UNIT NO. 10A
PROVIDE ONE PER LINE FOR WHICH
AUTOMATIC EXCLUSION IS REQ.

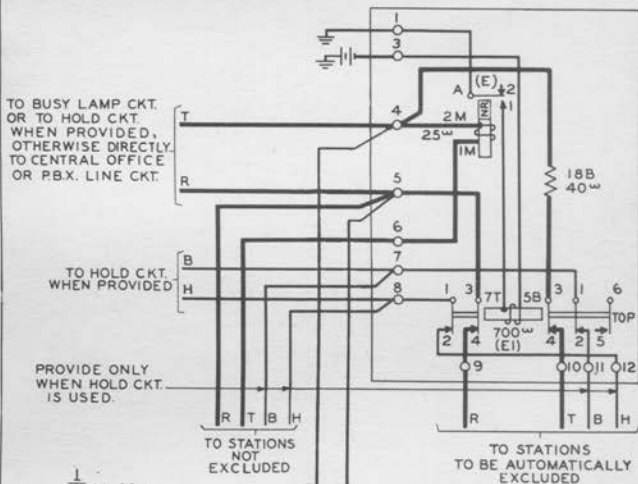
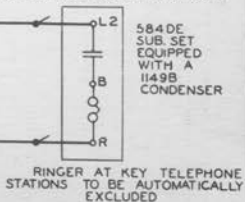
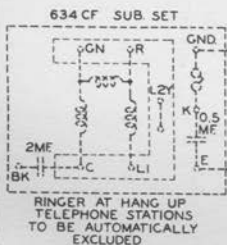


FIG. 2
RINGERS AT STATIONS
TO BE AUTOMATICALLY
EXCLUDED



SD-69140-01

PRINTED IN U.S.A.

3-D	2-D	DWG. ISS.
3-D	2-D	C.D. ISS.

SD-69140-01

CIRCUIT REQUIREMENTS

KEY TELEPHONE SYSTEM NO. 1A - AUTOMATIC EXCLUSION CKT.

APPARATUS	MECH. REQ.	CIRCUIT PREPARATION	TEST SET PREP	SEE TEST NOTE	DIRECT TEST	CURRENT TEST	AFTER TEST SOAK	READ	REMARKS
DESIG. CODE	BSP FIG. CONT. PRESS TRV	BLOCK OR INSULATE TEST CLIP DATA	TERM 6 TERM 5	PREP NO.	TEST WDG FOR	MA	MA	MA	
RELAYS									
FIG. 1									
E BU159	14		TERM 6 TERM 5	M		0	R	8.5 3.9	9.1 4.1
E I U662	33/28		TERM 6 TERM 5	M	GRD	0		17	16

1331

2

3

SD-69140-01