

CIRCUIT NOTES:

101. (A) WHEN A KEY TEL SET IS USED AT THE KEY STATION, CONNECT THE GREEN-WHITE AND RED-WHITE CONDUCTORS OF THE KEY TEL SET TO THE "CT" TERMINAL.
 (B) WHEN A HAND TEL SET WITH SEPARATELY MOUNTED KEYS IS USED AT THE KEY STATION, STRAP THE "CT" AND "LR" TERMINALS OF THE KEY.

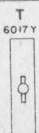
FEATURE OR OPTION	PROVIDE	
	FIGS. OR WIR	QUANTITY PER STA.
"M" STATION	1	1 PER STA.
"C" STATION	2, 3	1 PER STA.
SIDETONE BALANCE IN ACCORDANCE WITH LOCAL INSTRUCTIONS		A OR C

103. CONNECT RINGER AND CONDENSER OF KEY TEL SET TO "T" AND "R" TERMINALS IN SET

RECORD OF FIGURES, WIRING & APPARATUS CHANGES					
CHANGED ON ISS.	IF JOB DO NOT SPECIFY	THIS RECORDS DO NOT SPECIFY	OPTION WAS FURN.	SEE NOTE	USE IN CIRCUIT
					STD. ABM M.D.
5-D	Z OR Y	Z		Y	Z
6-A				FIG.3	FIG.2
6-A				W	X

WORKING LIMITS

	M STATION TO C STATION			
	M STATION TO CO.	M STATION TO C STATION	C STATION TO M STATION	C STATION TO CENT. OFFICE
MIN. INS. RES.	20,000"	20,000"	14V 16V 18V	
SUPERVISION				1200"
DIALING & RINGING				SAME AS CENT OFF RANGE
PRIVATE A-C RING SUPPLY				
HOLDING		1200"		
Buzzer Signaling			830 1080 1330	
EARTH POTENTIAL			-6V -6V -6V	
			+20V +20V +20V	



OPTIONS USED	
FIGS.	APP OR WIRING
2	Z
3	X
	W
	C
	A

KEY TELEPHONE SYSTEM NO.1A
PRIVATE LINE CIRCUIT

FIG 1
"M" STATION

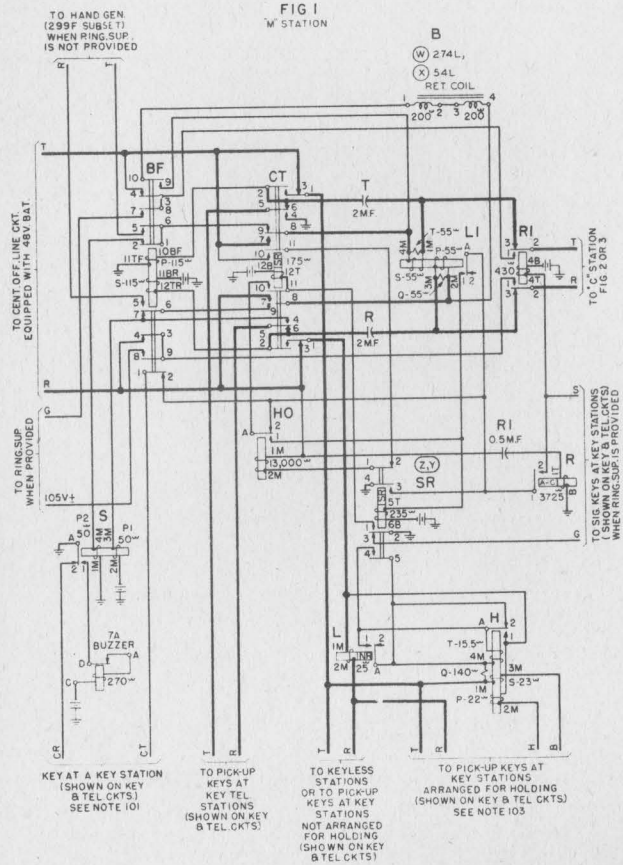


FIG 3
"C" STATION

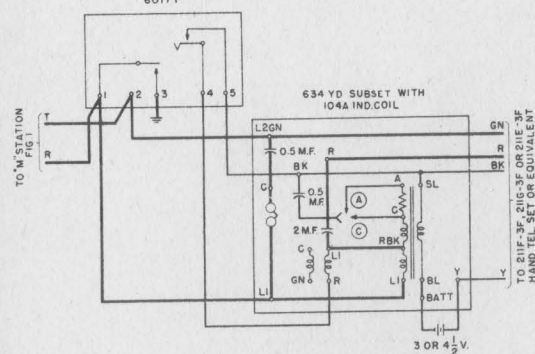
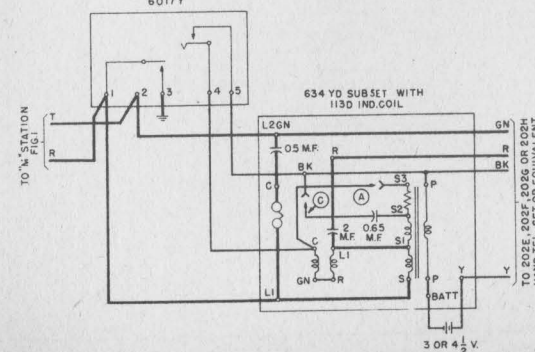


FIG 2
(MFR. DISC)
"C" STATION



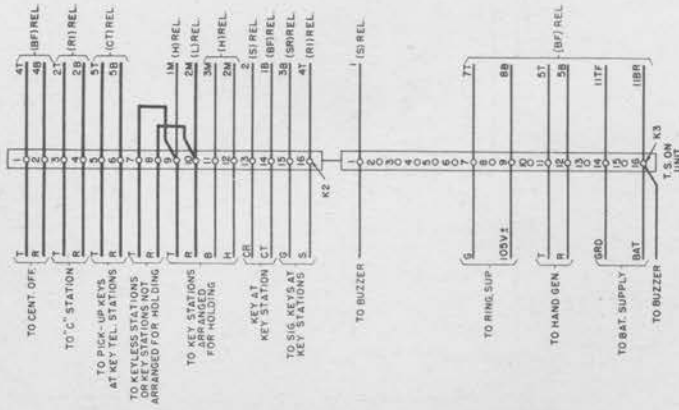
SD-69105-01 PRINTED IN U.S.A.

6-A DWG. ISS.
3-A C.D. ISS.

SD-69105-01

KEY TELEPHONE SYSTEM NO.1A
PRIVATE LINE CIRCUIT

FIG. 51



6-A DWG. ISS.
3-A CD. ISS.
SD-69105-01 PRINTED IN U.S.A.

APPARATUS		MECH. REQ.		CIRCUIT PREPARATION				DIRECT CURRENT FLOW REQ.				REMARKS		
DESIG.	CODE	BSP FIG.	CONT. PRESS.	ARM TRVL.	BLOCK OR INSULATE	TEST CLIP DATA	TEST SET PREF.	SEE TEST NOTE NO.	TEST WDG.	TEST FOR	AFTER SUCK		TEST	READJ.
RELAYS														
FIG. 1														
BF	U995	193/149	H	47		TR(BF)	BF(BF)	M	P/S	O		33.5	31.5	
CT	Y198	163/163	H	59	10B(CT)		T(CT)	GRD	2	O		63	60	
							T(CT)	GRD	2	H		11.9	11.3	
							T(CT)	GRD	2	R		2.5	2.9	
H	BI158	14		30		IT(CT)	7T(CT)	2M(H)	M	1	P	O	20	19
						IT(CT)	7T(CT)	2M(H)	M		P	NO	13.4	14.1
						IT(CT)	7T(CT)	2M(H)	M		P	R	9.3	9.8
						1B(CT)	3M(H)	7B(CT)	M		S	O	20	
						11M(CT), 2M	1(L)	7B(CT)	M		T/Q	O	20	
HO	BI172	14		30		IT(SR)	GRD				O	1.2	1.1	
						IT(SR)	GRD				NO	0.7	0.8	
L	BI159	14		30		IT(CT)	2M(L)	M			O	8.7	8.2	
						IT(CT)	2M(L)	M			R	3.9	4.1	
LI	BI173	8		30		(R)O	3B(R)	3T(R)	M	P/S	O	FS	6.1	5.8
						(SR)NO	3B(R)	3T(R)	M	P/S	R	FS	3.2	3.4
R	1B6C					(R)NO							A-C	A-C
							IT(R)				O		3.2	3
							IT(R)				NO		1.5	1.6
RI	U994	132/132	H	47			T(R)	GRD			O	22	20.5	

TEST NOTES:
 1. ADJUST FRONT CONTACT FOLLOW AND SEPARATION AS CLOSE TO THE MINIMUM 5 AS POSSIBLE. TENSION RELAY SO THAT IT FAILS TO OPERATE ON THE READJUST OPERATE CURRENT AND THEN BACK OFF THE ADJUSTING SCREW UNTIL THE RELAY WILL OPERATE.
 2. ADJACENT RELAYS SHALL NOT BE ENERGIZED. SEE BSP.
 3. TEST AND READJUST RELAY FOR OPERATION ON RINGING CURRENT BY CONNECTING MINIMUM 95% MAXIMUM 111V, 1100-1200 R.P.M. RINGING CURRENT THRU 8500 OHM INDUCTIVE RESISTANCE TO IT(R) AND RING. GROUP TO B(R). REPEAT WITH 0" INSTEAD OF 8500" OPEN LINE TOWARDS CENTRAL OFFICE WHILE MAKING RINGING TESTS. IF THE PRECEDING CAN NOT BE FOLLOWED, TEST AND READJUST (R) RELAY FOR OPERATION ON A-C BY RINGING ON LINE FROM CENTRAL OFFICE.

SD-69105-01 (2 PAGES) PAGE 1

APPARATUS		MECH. REQ.		CIRCUIT PREPARATION				DIRECT CURRENT FLOW REQ.				REMARKS		
DESIG.	CODE	BSP FIG.	CONT. PRESS.	ARM TRVL.	BLOCK OR INSULATE	TEST CLIP DATA	TEST SET PREF.	SEE TEST NOTE NO.	TEST WDG.	TEST FOR	AFTER SUCK		TEST	READJ.
S	BI171	14		30		(R)O	7B(BF)	GRD	P1	O	25	14.5	13.6	
						(R)O	7B(BF)	GRD	P1	NO	25	9.7	10.3	
						(R)O	7B(BF)	GRD	P1	R	25	6.9	7.3	
						(R)O	2T(BF)	BAT	P2	O		16		
2 OPTION														
SR	Y197	188/108	SPL	SPL		(CT)NO		T(SR)	GRD	1/2	O	FS	41.5	39.5
						(CT)NO		T(SR)	GRD	1/2	H	FS	5.3	5
						(CT)NO		T(SR)	GRD	1/2	R	FS	1.5	1.8
3 OPTION														
SR	Y282	188/203	SPL	SPL		(CT)NO		T(SR)	GRD	1/2	O	FS	41.5	39.5
						(CT)NO		T(SR)	GRD	1/2	H	FS	5.3	5
						(CT)NO		T(SR)	GRD	1/2	R	FS	2	2.6

TEST NOTES:
 1. ARM. TRVL. SPECIAL 41. FRONT CONTACT MAKE 6 READJ., 4 TEST. MIN. TENSION IT, 2B SPRINGS, 10 GRAMS READJ., 8 GRAMS TEST.
 2. ADJACENT RELAYS SHALL NOT BE ENERGIZED. SEE BSP.