

CIRCUIT NOTES (CONT):
 107 THE 231-FJ REL IS RATED "MFR DISC." TO STATION CIRCUITS OR TO RINGING LEADS TO LINE AND LINK CIRCUITS TO TRUNK CIRCUITS TO LINE AND LINK CIRCUITS
 FOR USE IN THIS CRT AND IS REPLACED BY THE 230-FC REL PRIOR TO ISSUE 3-D THE 230-FC REL WAS NOT SHOWN.
 CIRCUITS CONTINUOUS RINGING WHEN SPEC

750A P.B.X. TONE, RINGING, ALARM AND COMMON TIMING CIRCUITS

FIG. 1-B
 SEE NOTES 103, 104 & 106
 304-DE OR 304-DD SUB SET

FIG. 1-A
 SEE NOTES 103 & 104

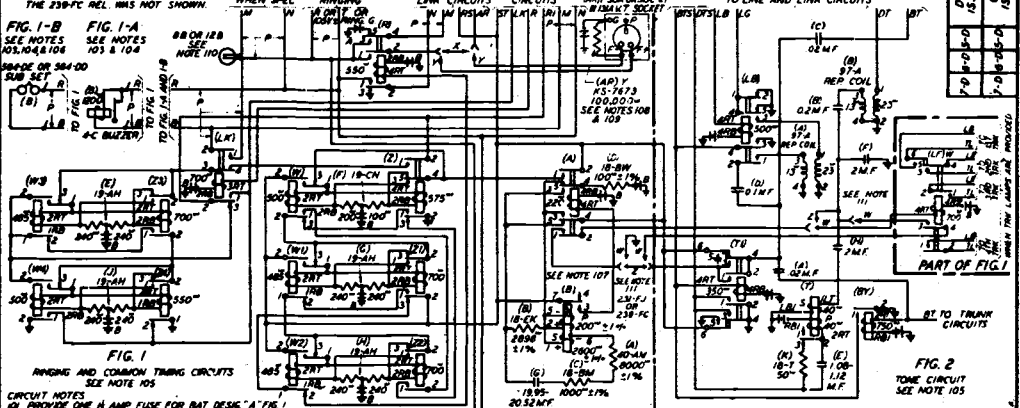


FIG. 1
 RINGING AND COMMON TIMING CIRCUITS
 SEE NOTE 105

FIG. 2
 TONE CIRCUIT
 SEE NOTE 105

CIRCUIT NOTES
 101 PROVIDE ONE 1/2 AMP FUSE FOR BAT. DESIG "A" FIG. 1
 PROVIDE ONE 1/2 AMP FUSE FOR BAT. DESIG "B" FIG. 1
 PROVIDE ONE 1/2 AMP FUSE FOR BAT. FIG. 2
 102 PROVIDE NOT MORE THAN TWO (A) SUB SETS
 103 NOT MORE THAN 8 BUZZERS SHALL BE FURNISHED PER P.B.X. INCLUDING THOSE IN THE TRK CIRCUITS
 104 WHEN RINGERS OR BUZZERS ARE DESIRED, ONE BUZZER SHALL BE CONSIDERED THE EQUIVALENT OF 3 RINGERS
 105 ALL LEADS IN FIGS 1 AND 2 AND LEADS MARKED "C" IN FIG. 3 SHALL BE RUN IN SEPARATE CABLE
 106 THE MANUFACTURE OF THE 304-DD SUB SET FOR USE IN THIS CIRCUIT HAS BEEN DISCONTINUED. IT HAS BEEN SUPERSEDED BY THE 304-DE SUB SET ON ISSUE 3-D OF THIS CIRCUIT. PRIOR TO ISSUE 2-D THE 304-DE SUB SET WAS NOT SHOWN

CIRCUIT NOTES CONT
 107 THE USE OF "X" WIRING IN THIS CIRCUIT IS RATED "MFR DISC." AND IS SUPERSEDED BY "Y" WIRING AND APPARATUS ON ISSUE 3-D. PRIOR TO ISSUE 3-D "X" WIRING WAS PART OF FIG. 1 AND "Y" WIRING AND APPARATUS WERE NOT SHOWN.
 108 THE USE OF THE 313A V.T. IN THIS CIRCUIT IS RATED "MFR. DISC." AND IS SUPERSEDED BY THE 313 C V. T. ON ISSUE 6-D. PRIOR TO ISSUE 6-D, THE 313 C V. T. WAS NOT SHOWN.
 109 THE WIRING IS SUPERSEDED BY THE 313-A V. T. ON ISSUE 6-D. PRIOR TO ISSUE 6-D, THE 313-A V. T. WAS NOT SHOWN.
 110 THE WIRING IS SUPERSEDED BY THE 313-A V. T. ON ISSUE 6-D. PRIOR TO ISSUE 6-D, THE 313-A V. T. WAS NOT SHOWN.

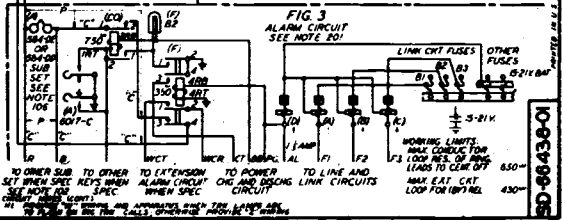


FIG. 3
 ALARM CIRCUIT
 SEE NOTE 201

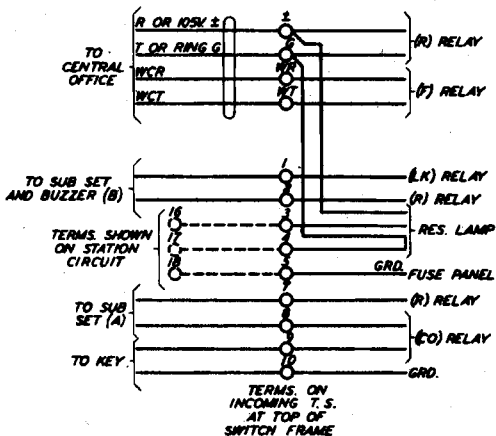
DATE	ISSUE	C. D.	ISSUE
7-9-50	1-0	7-9-50	1-0
7-9-50	2-0	7-9-50	2-0
7-9-50	3-0	7-9-50	3-0

750A P.B.X. TONE, RINGING, ALARM AND COMMON TIMING CIRCUITS

SD-66436-01

SD-66436-01

FIGS. 1-K, 2-K AND 3-K



EQUIPMENT NOTES:

201. TO OBTAIN A UNIVERSAL EQUIPMENT ARRANGEMENT FOR BOTH SIZE P.B.X.S THE (B2) FUSE AND THE ASSOCIATED LINK IS ALWAYS PART OF THE LAST CIRCUIT IN THE CHAIN WHETHER THERE ARE TWO OR THREE LINKS.

(MFR.)
(DISC.)

7-66-950	DWG.
	ISSUE
7-66-950	C. D.
	ISSUE

SD-66438-01

PRINTED IN U.S.A.

CIRCUIT REQUIREMENTS

P.B. X. NO 750A TONE, RINGING, ALM. & COMMON TRNG CKTS. (T, RING, ALM & COM TRNG)

APPARATUS	MECH. REQ.		CIRCUIT PREPARATION				TEST SET NO.	SEE TEST NOTE NO.	DIRECT CURRENT FLOW REQ.			REMARKS		
	DESIG CODE	BSP FIG.	CONT. PRESS.	ARM. PRES.	SEC. SW. POS.	BLOCK			TEST CLIP DATA	TEST WDG.	TEST FOR		TEST AMP.	TEST AMP.
						CONN. BAL.	CONN. GRD.							
RELAYS														
FIG. 1														
A	E628	8/8	L	020			RT (A)	GRD.		0		0275 0280	INSULATE 3B (A), 5B (A), 5T (2), 3B (2) & 3T (W)	
B	231-FJ OR R30-FC	12				(A) NO	5 (B)	2 (B)	B/G	1	P	0	0021 002	RELAY OPERATES IN EITHER DIRECTION ON CURRENT REVERSALS.
						(A) NO	5 (B)	2 (B)	B/G	1	P	NO	0008 001	
						(A) NO	6 (B)	1 (B)	B/G	1	S	0	0004	INSULATE 5T & 5B (A)
LF	R575	23/11	L	030			RT (LF)	GRD.		0		016 047	"W" APPARATUS	
LK	R782	10/3	H	020			RT (LK)	GRD.		0		042 0135		
R	R1340	8/3	H	020	(W2) O		RT (R)	GRD.		0		024 0185		
W	E104	14/3	H	035		(Z) NO	RT (W)	GRD.	2	0		018 016	WINDING ALONE	
										0		039 0345	FOR CKT. COMB. OF (W) & (Z) RELAYS.	
W1	E154	14/2	L	035		(Z) NO	RT (W1)	GRD.	3	0		0175 015	WINDING ALONE	
										0		0325 028	FOR CKT. COMB. OF (W1) & (Z1) RELAYS.	
W2	E154	14/2	L	035		(Z2) NO	RT (W2)	GRD.	4	0		0175 015	WINDING ALONE	
										0		0325 028	FOR CKT. COMB. OF (W2) & (Z2) RELAYS.	
W3	E154	14/2	L	035		(Z3) NO	RT (W3)	GRD.	5	0		0175 015	WINDING ALONE	
										0		0325 028	FOR CKT. COMB. OF (W3) & (Z3) RELAYS.	
W4	E200	14/1	H	035		(Z4) NO	RT (W4)	GRD.	6	0		017 018	WINDING ALONE	
										0		035 033	FOR CKT. COMB. OF (W4) & (Z4) RELAYS.	
Z	R211	8/3	H	020		(W) NO	RT (Z)	GRD.	7	0		019 018	WINDING ALONE	
										0		0395 0375	FOR CKT. COMB. OF (Z) & (W) RELAYS.	
Z1	R323	3/3	H	020		(W1) NO	RT (Z1)	GRD.	8	0		0135 012	WINDING ALONE	
										0		0325 0295	FOR CKT. COMB. OF (Z1) & (W1) RELAYS.	

TEST NOTES:

- REMOVE WIRE FROM TERM. 6 (B).
- INSULATE 5T (Z) AND 2T (W).
- INSULATE 3T (Z1) AND 2T (W1).
- INSULATE 3T (Z2) AND 2T (W2).
- INSULATE 3T (Z3).
- INSULATE 3T (Z4).
- INSULATE 3T (W).

B INSULATE 5T (W).

APPARATUS DESIGN CODE	MECH REQ			CIRCUIT PREPARATION				SEE TEST SET NOTE NO.	DIRECT CURRENT FLOW REQ.					CKT ISS NO.		
	BSP FIG.	CONT. PRESS.	ARM TRVL	SEC SW. POS.	BLOCK	TEST CLIP DATA CONN. BAT. CONN. GRD.	TEST PREP.		TEST NO.	TEST WDG.	TEST FOR	AFTER SOAK AMP.	TEST AMP.		READJ AMP.	
22 R1176	3/1	H	020		(W2)NO	RT(22)	GRD	1	0	0	0.135	0.121	0.323	0.285	WINDING ALONE FOR CKT. COMB. OF (22) & (W2) RELAYS.	1 2 3
23 R1176	3/1	H	020		(W3)NO	RT(23)	GRD	2	0	0	0.135	0.121	0.323	0.285	WINDING ALONE FOR CKT. COMB. OF (23) & (W3) RELAYS.	4 5 6
24 R954	3/2	H	020		(W4)NO	RT(24)	GRD	3	0	0	0.18	0.13	0.35	0.285	WINDING ALONE FOR CKT. COMB. OF (24) & (W4) RELAYS.	7
FIG. 1-A MAGNETS																
B 4-C BUZ.																
FIG. 2 RELAYS																
BY	R1117	1	H	015	(Y)NO	RT(BY)	GRD.		0		0.117	0.111				
LB	E946	7/11	H	020		RT(LB)	GRD.		0		0.27	0.25				
T	553					2RT(T)	GRD.	P	0		0.25	0.235				
						2RT(T)	GRD.	P	NO		0.195	0.21				
						1LT(T)	BAT.	S	0		0.27					
TI	E1360	23/23	L	030		RT(TI)	GRD.		0		0.38	0.26				
FIG. 3																
CO	E1254	2/1	H	015		RT(CO)	GRD.		0		0.12	0.11			INSULATE 2B (CO).	
F	E612	1/1/11	L	015		RB(F)	BAT.		0		0.23	0.22				

TEST NOTES:

1. INSULATE 3T (W2).
2. INSULATE 3T (W3).
3. INSULATE 3T (W4).
4. TEST AND READJUST IN ACCORDANCE WITH BSP FOR 4 TYPE BUZZERS.