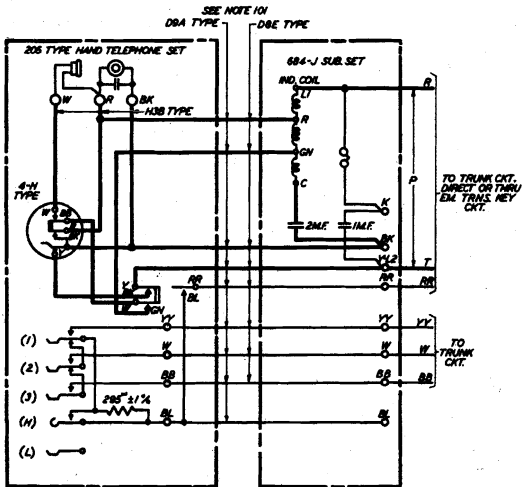


750-A P. B. X. STATION CIRCUIT

FIG. 1
KEY STATION WITH HANDSET

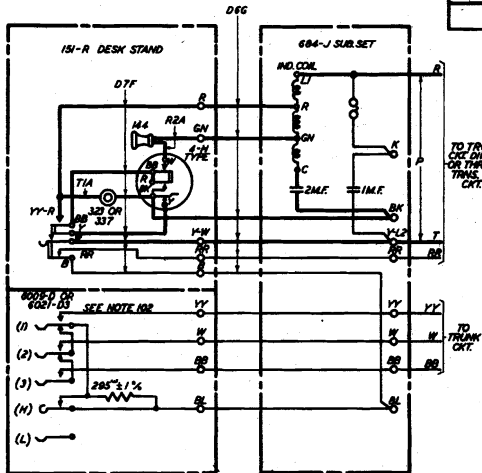


CIRCUIT NOTES:

101. PROVIDE DBA TYPE CORD WHEN USED IN CONNECTION WITH FIGS. 3 AND 8. OTHERWISE PROVIDE D8E TYPE CORD.

102. THE MANUFACTURE OF THE 8009-D KEY FOR USE IN THIS CIRCUIT HAS BEEN DISCONTINUED. THE 8009-D KEY IS SUPERSEDED BY THE 8021-D3 KEY ON ISSUE 2-D OF THIS CIRCUIT. PRIOR TO ISSUE 2-D, THE 8009-D KEY WAS NOT SHOWN.

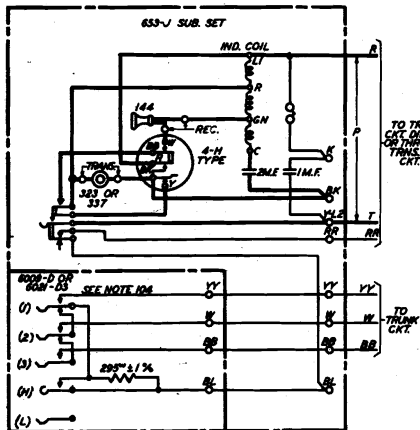
FIG. 2
KEY STATION WITH DESK STAND



CIT.	C.B.
4-D	4-D

750-A P. B. X. STATION CIRCUIT

FIG. 3
KEY STATION WITH WALL SET

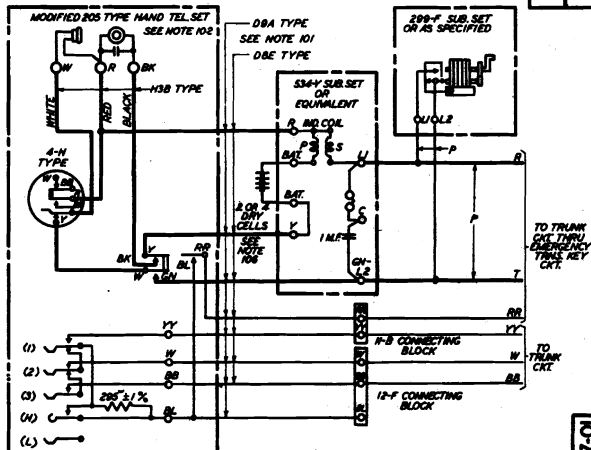


CIRCUIT NOTES:
 101 PROVIDE DBA TYPE CORD WHEN USED IN CONNECTION WITH FIGS. 3 AND 4, OTHERWISE PROVIDE DBE TYPE CORD.
 102 THE 205 TYPE HAND TELEPHONE SET SHALL BE MODIFIED AS SHOWN.
 103 PROVIDE FIG. 4 FOR ONE KEY STATION ONLY WHEN EMERGENCY SERVICE TO A MAGNETO CENTRAL OFFICE IS REQUIRED AND THE TWO-WAY HAND TRUNK CIRCUIT IS LOCATED AT THE R. & X. PROVIDE FIG. 2 OR 3 FOR OTHER KEY STATIONS.

TO TRUNK
CIR. DIRECT
OR THRU EM.
TRUNK KEY
CIR.

TO TRUNK
CIR.

FIG. 4
(MFR. DISC.)
KEY STATION WITH HANDSET ARRANGED FOR EMERGENCY
SERVICE TO MAGNETO CENTRAL OFFICE
SEE NOTES 103 & 105



104 THE MANUFACTURE OF THE 600-D KEY FOR USE IN THIS CIRCUIT HAS BEEN DISCONTINUED. THE 600-D KEY IS SUPERSEDED BY THE 6021-03 KEY ON ISSUE 2-0 OF THIS CIRCUIT. PRIOR TO ISSUE 2-0, THE 600-D KEY WAS NOT SHOWN.
 105 FIG. 4 IS DATED "MFR. DISC." FOR USE IN THIS CIRCUIT. FIG. 4 IS SUPERSEDED BY FIG. 7 ON ISSUE 3-0. PRIOR TO ISSUE 3-0, FIG. 7 WAS NOT SHOWN.

106 USE TWO DRY CELLS WHEN THE FT TRANSMITTER UNIT IS PROVIDED, OTHERWISE USE FOUR DRY CELLS.

TO TRUNK
CIR. THRU
EMERGENCY
TRUNK KEY
CIR.

TO TRUNK
CIR.

SD-66437-01

PRINTED IN U.S.A.

CKT. ISSUE	C.A. ISSUE
4-0	4-0

750-A P.B.X. STATION CIRCUIT

CONTROL CABINET CIRCUIT

FIG. 5
FIRST KEY CIRCUIT

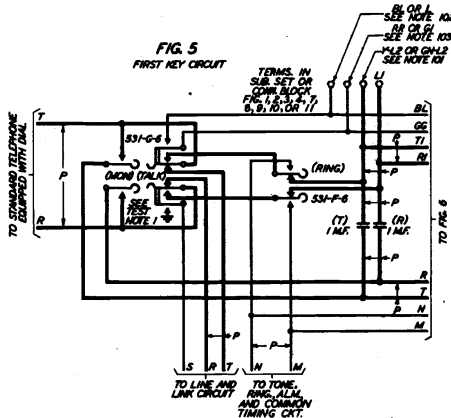
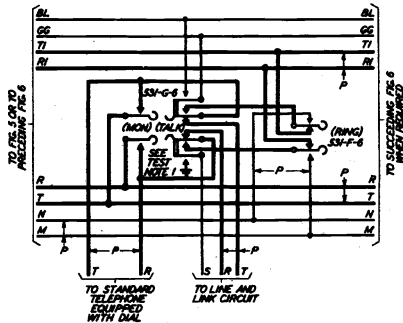


FIG. 6
INTERMEDIATE AND
LAST KEY CIRCUIT

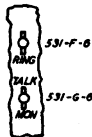


CIRCUIT NOTES:

101. CONNECT TO THE "GN-L2" TERMINAL OF THE SUB SET WHEN FIG. 4 OR 7 IS USED; OTHERWISE CONNECT TO THE "Y-L2" TERM. OF THE SUB SET.
102. CONNECT TO THE "L" TERMINAL OF THE SUB SET WHEN FIG. 9, 10 OR 11 IS USED; OTHERWISE CONNECT TO THE "BL" TERMINAL OF THE SUB. SET.
103. CONNECT TO THE "G1" TERMINAL OF THE SUB SET WHEN FIG. 9, 10, OR 11 IS USED; OTHERWISE CONNECT TO THE "RR" TERMINAL OF THE SUB. SET.

TEST NOTES:

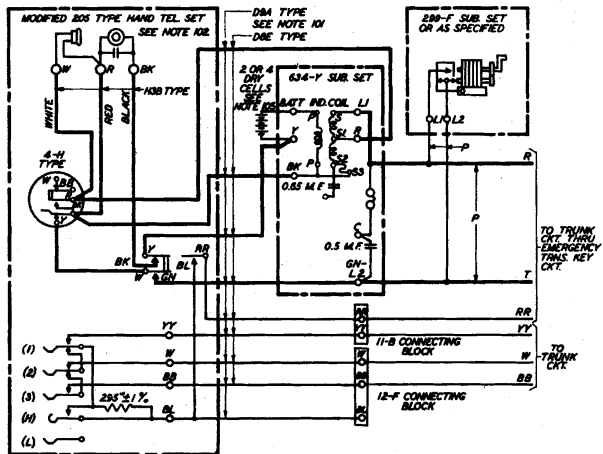
1. ADJUST SS1-G-6 KEY SO THAT WHEN THE LEVER IS RESTORED UNRESTRAINED FROM THE OPERATED TO THE NORMAL POSITION, NO NORMALLY CLOSED CONTACTS OF THE OPPOSITE SIDE SHALL BREAK AND NO NORMALLY OPEN CONTACTS OF THE OPPOSITE SIDE SHALL MAKE.



CRT /ISSUE	C.B. /ISSUE
4-0	4-0

750-A P. B. X. STATION CIRCUIT

FIG. 7
KEY STATION WITH HANDSET ARRANGED FOR EMERGENCY SERVICE TO MAGNETO CENTRAL OFFICE
SEE NOTES 103 & 104



CIRCUIT NOTES:

101. PROVIDE DBA TYPE CORD WHEN USED IN CONNECTION WITH FIGS. 5 AND 6, OTHERWISE PROVIDE DBE TYPE CORD.
102. THE 205 TYPE HAND TELEPHONE SET SHALL BE MODIFIED AS SHOWN.

103. PROVIDE FIG. 7 FOR ONE KEY STATION ONLY WHEN EMERGENCY SERVICE TO A MAGNETO CENTRAL OFFICE IS REQUIRED AND THE TWO-WAY MANUAL TRUNK CIRCUIT IS LOCATED AT THE R & X.

104. FIG. 4 IS DATED "MFR. DISC" FOR USE IN THIS CIRCUIT AND IS SUPERSEDED BY FIG. 7 ON ISSUE 3-0. PRIOR TO ISSUE 3-0, FIG. 7 WAS NOT SHOWN.

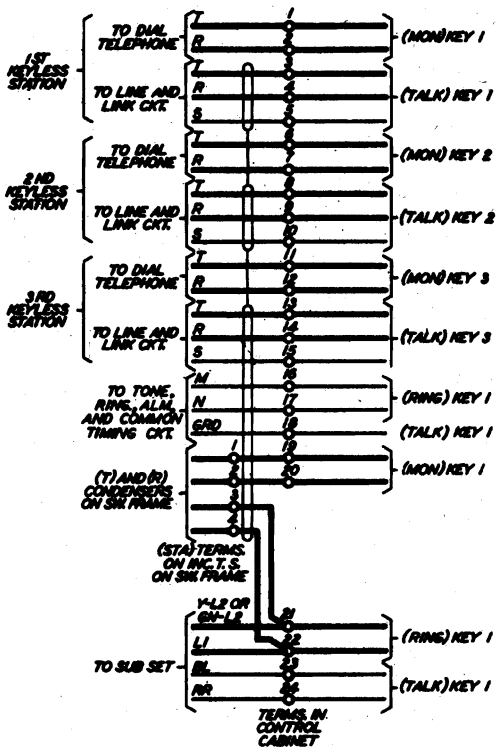
105. USE TWO DRY CELLS WHEN THE FI TRANSMITTER UNIT IS USED, OTHERWISE PROVIDE FOUR DRY CELLS.

CRT ISSUE	C. A. ISSUE
4-D 3-D	4-D 3-D

PRINTED IN U.S.A.

SD-66497-01

FIG. 5-K & 6-K



SD-66437-01

PRINTED IN U.S.A.

	48	CKT. ISSUE
	49	C.A. ISSUE

750 A R. B. X. STATION CIRCUIT

FIG. 8
KEY STATION WITH COMBINED HAND
TELEPHONE SET WITH KEYS IN BASE

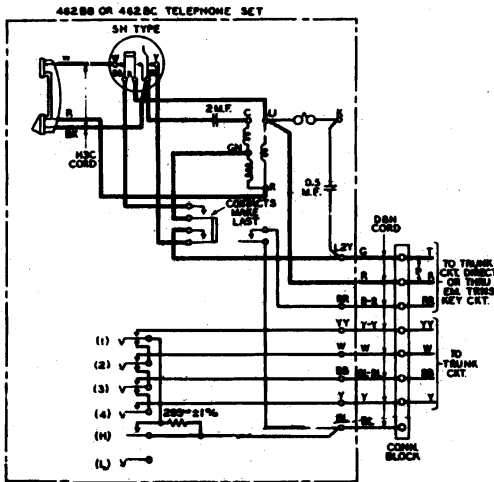


FIG. 9
KEY STATION WITH 808 TYPE
HAND SET WITH SEPARATE KEYS

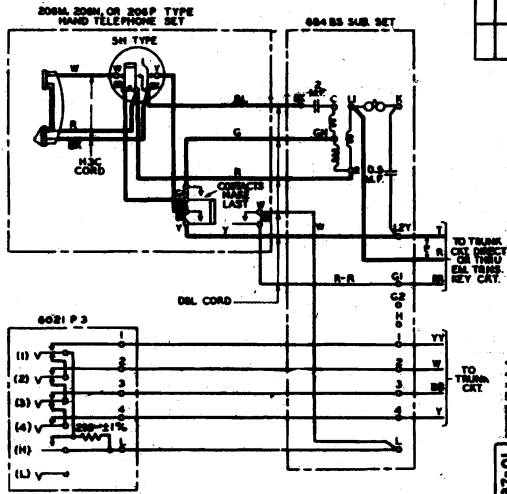


FIG. 10
KEY STATION WITH WALL SET

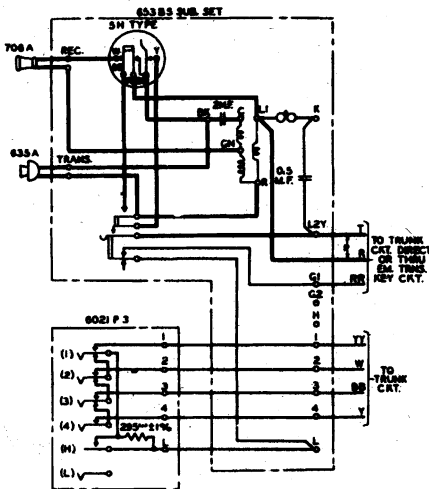
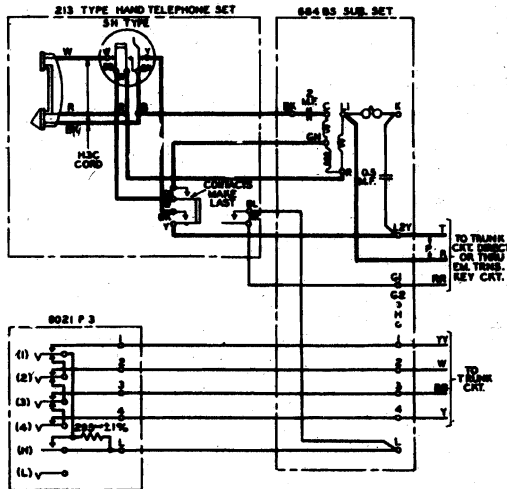


FIG. 11
KEY STATION WITH HAND SET WITH SEPARATE KEYS



4-9 DWG. 181
4-9 C.D. 181
SD-60437-01 PRINTED IN U.S.A.