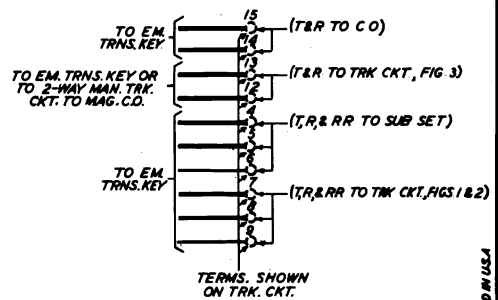
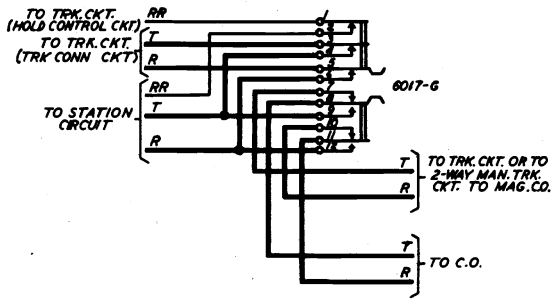


# NO. 750-A P.B.X. EMERGENCY TRANSFER CIRCUIT

DWG. ISSUE	C. D. ISSUE
2	2
3	3



**EQUIPMENT NOTES**  
 201. THE EQUIPMENT DESIGNATION OF THIS CIRCUIT IS "EM TR KEY."

PRINTED IN U.S.A.  
SD-66361-01