

BELL SYSTEM PRACTICES
Station Installation and Maintenance

SECTION C63.448
Issue 1, March, 1955
AT&T Co Standard

TELEPHONE SETS

554, 556, AND 558 TYPES

CONNECTIONS

1. GENERAL

1.01 This section covers the connections for the following telephone sets:

<u>Manual</u>	<u>Dial</u>
554A or AR	554B or BR
556A or AR	556B or BR
558A or AR	558B or BR

1.02 Cords and conductors within the set should be fastened and so arranged to avoid interference with moving parts.

1.03 Tables, which show the connections for all classes of service which can be provided by these sets, are included.

1.04 **Line connections** within the 554- and 556-type sets are made on the network. Line connections within the 558-type set are made on the terminal strip under the dial, or on the network, or on both.

1.05 **For manual service**, replace the dial with a 95B apparatus blank and transfer the slate-white switch lead to the RR terminal on the network.

1.06 Table B shows tube and ringer connections for areas where no inductive interference is encountered. For locations of average or severe induction (see Section C63.271, **Line and Ringer Connections, Use of Vacuum Tubes to Reduce Induction and to Provide Additional Ringing Bridges**), use connections shown in Table C or D.

TABLE A
CONNECTIONS FOR 554A, B, AR, AND BR TELEPHONE SETS

Class of Service	Line			Switch Lead	Ringer Connections				Permanently Silenced Ringer			
	R	T	G		SL	R	BK	SL	SL-R	R	BK	SL
Bridged Flat and Message Rate	L2	L1	G	L2	L2	L1	K	A	L2	K	K	A
	L2	L1	G	L2	L2	G	K	A	L2	K	K	A
Ring Party Flat and Message Rate	L1	L2	G	L2	L2	G	K	A	L2	K	K	A
	L1	L2	G	L2	L2	G	K	A	L2	K	K	A
Tip Party Flat Rate, except as listed below	L1	L2	G	L2	L2	G	K	A	L2	K	K	A
	L1	L2	G	L2	L2	G	K	A	L2	K	K	A
Tip Party 2-party Dial Message Rate	L1	L2	G	A	K	G	B	B	K	G	B	K
	L1	L2	G	A	K	G	B	B	K	G	B	K
Tip Party 2-party Flat Rate Ticketing	L1	L2	G	A	B	B	K	G	B	K	K	G
	L1	L2	G	A	B	B	K	G	B	K	K	G
Tip Party 2-party Flat Rate Automatic Message Accounting and Zone Registration	L1	L2	G	A	K	G	B	B	K	G	B	K
	L1	L2	G	A	K	G	B	B	K	G	B	K

Note: **Bold face type** indicates connections that must be changed as set is furnished.

TABLE B
CONNECTIONS FOR 556A, B, AR, AND BR TELEPHONE SETS

4-party Selective or 8-party Semiselective Service	Line			Tube			Ringer			
Party	R	T	G	Y	BK	R	R	BK	SL	SL-R
Negative Ring (1 and 5)	L2	L1	G	L2	K	G	G	G	A	K
Negative Tip (2 and 6)	L1	L2	G	L2	K	G	G	G	A	K
Positive Ring (3 and 7)	L2	L1	G	G	K	L2	L2	L2	A	K
Positive Tip (4 and 8)	L1	L2	G	G	K	L2	L2	L2	A	K

Note: Bold face type indicates connections that must be changed as set is furnished.

TABLE C
CONNECTIONS FOR 556A, 3, AR, AND BR TELEPHONE SETS
 Average Induction

4-party Selective or 8-party Semiselective Service	Line		Tube				Ringer			Tube Type		
	R	T	GN	Y	BK	R	R	BK	SL		SL-R	
Negative Ring (1 and 5) Negative Tip (2 and 6) Positive Ring (3 and 7) Positive Tip (4 and 8)	L2	L1	G		L2	K	L1	G	G	A	K	426A
	L1	L2	G		L2	K	L1	G	G	A	K	426A
	L2	L1	G		L1	G	K	L2	L2	A	K	425A
	L1	L2	G		L1	G	K	L2	L2	A	K	425A

TABLE D
CONNECTIONS FOR 556A, B, AR, AND BR TELEPHONE SETS
 Severe Induction

4-party Selective or 8-party Semiselective Service	Line			425A Tube				Ringer			
	R	T	G	GN	Y	BK	R	R	BK	SL	SL-R
Negative Ring (1 and 5) Negative Tip (2 and 6) Positive Ring (3 and 7) Positive Tip (4 and 8)	L2	L1	G	L2	L2	K	L1	G	G	A	K
	L1	L2	G	L2	L2	K	L1	G	G	A	K
	L2	L1	G	L1	G	K	L2	L2	L2	A	K
	L1	L2	G	L1	G	K	L2	L2	L2	A	K

TABLE E
CONNECTIONS FOR 558A, B, AR, AND BR TELEPHONE SETS

Features	Line 1		Line 2		Extension		Ringer		Signal Circuit
	T	R	T	R	T	R	R	BK	
2-line Pickup*	1	2	3	4			2	1	
One Line, Signal, and Extension Cutoff	L1	L2			3	4	L2	L1	5
One Line, Ringer (in set) Cutoff	L1	L2					2	1	
One Line, Loud Ringer Cutoff	L1	L2			3	4	2	1	
One Line, Signal	L1	L2							5
									6

* If a bell is desired on each line, a 687A subset or its equivalent will be required on line 2.

Note: This table shows the connections for circuits using bridged or nongrounded ringing. The ringer connections in Table A should be followed if the set is used on grounded ringing circuits.

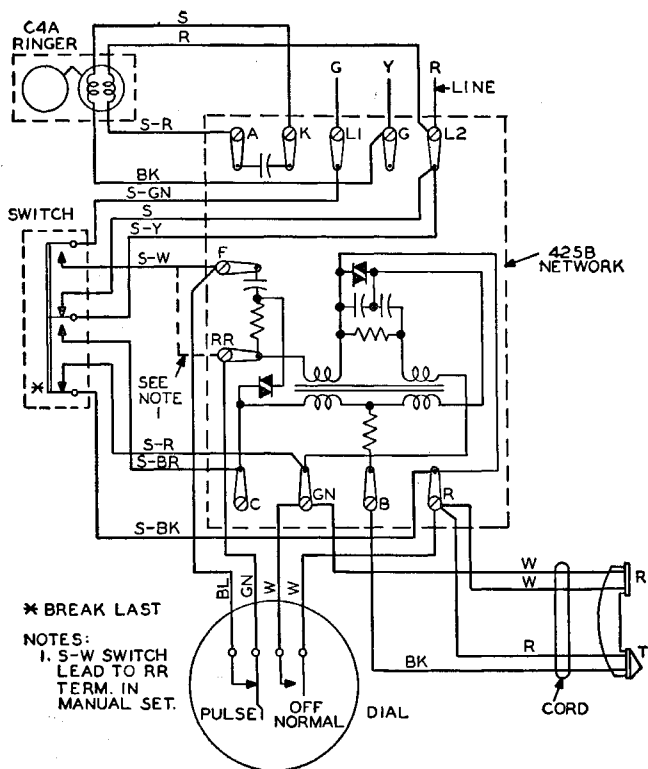


Fig. 1—554A (Manual) and 554B (Dial) Telephone Sets

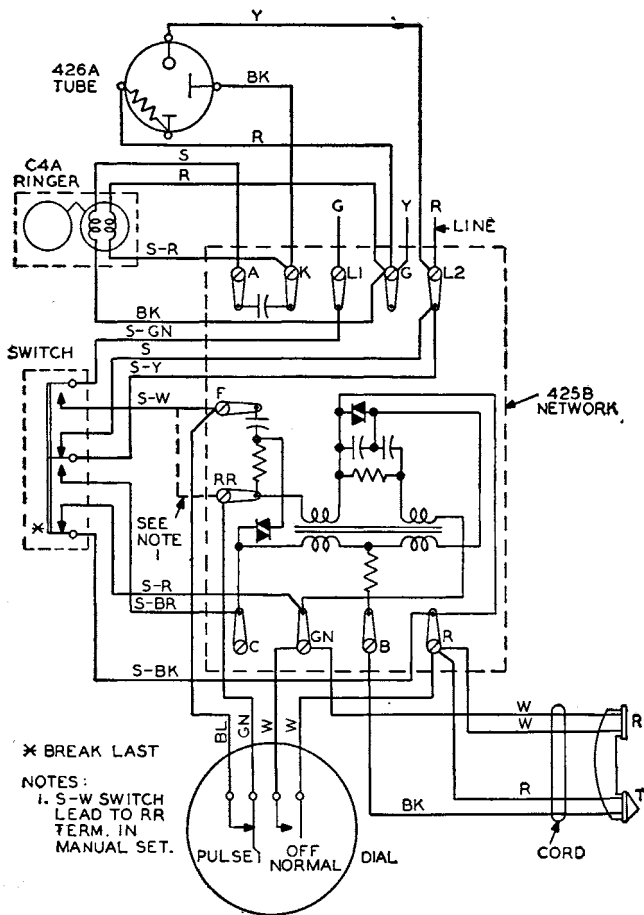


Fig. 2—556A (Manual) and 556B (Dial) Telephone Sets

TELEPHONE SETS
 554, 556,
 AND 558
 TYPES
 CON-
 NECTIONS

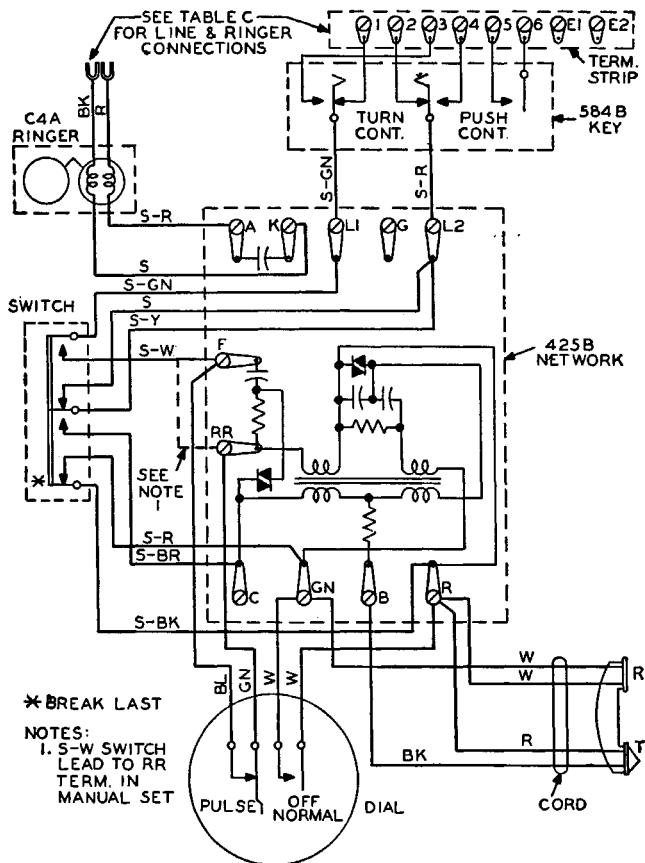


Fig. 3—558A (Manual) and 558B (Dial) Telephone Sets