

BELL SYSTEM PRACTICES
Station Installation and Maintenance

SECTION C45.102
Issue 1, 6-1-31
Standard

ANTI-SIDETONE DESK STANDS

120, 140, 151 AND 152 TYPES

CONNECTIONS

1. GENERAL

1.01 This section covers the connections for the 120, 140, 151 and 152 types of desk stands when such stands are used at regular manual or dial common battery stations. These stands are for use with anti-sidetone subscriber sets and, in general, differ from the 20, 40, 50, 51 and 52 types because they have been modified to provide for an added conductor in the desk stand cord required for anti-sidetone connections. Desk stands of the 120, 140, 151 and 152 types (except 151C and 151S) may be used with sidetone subscriber sets by taping the black conductor cord tip at the subscriber set end and leaving it disconnected.

1.02 Figures showing the cord connections for these types of desk stands are arranged herein by the class or classes of service for which such stands are used.

1.03 No. 1 Residence System and No. 2 P.B.X. stations do not have desk stands for anti-sidetone connections.

2. MANUAL STATION CONNECTIONS

2.01 All Manual Stations Except:

Local Battery Talking, Common Battery Signaling,
No. 1 Residence System and No. 2 P.B.X.

151-AL DESK STAND

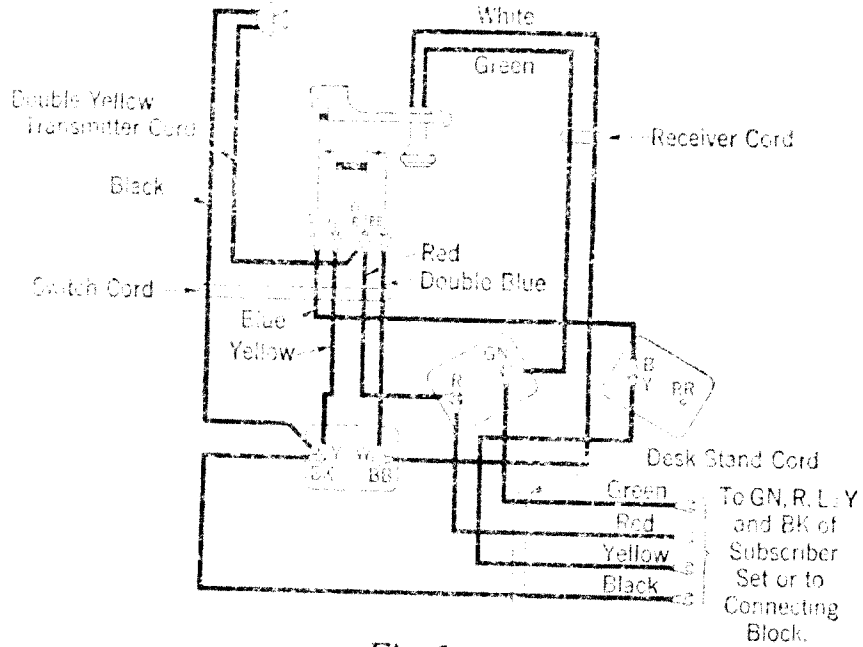


Fig. 1.

140-AL AND 120-AL DESK STAND

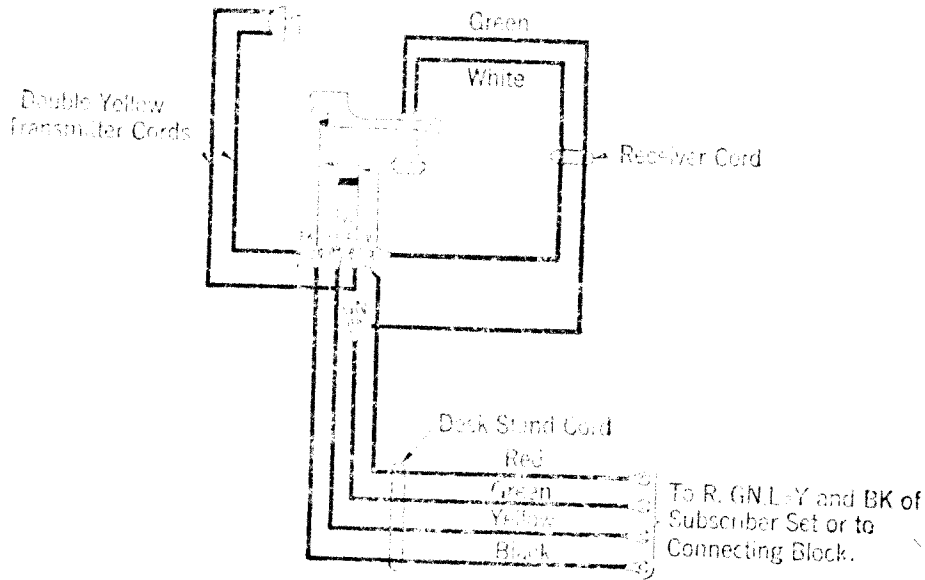


Fig. 2.

152-AB DESK STAND

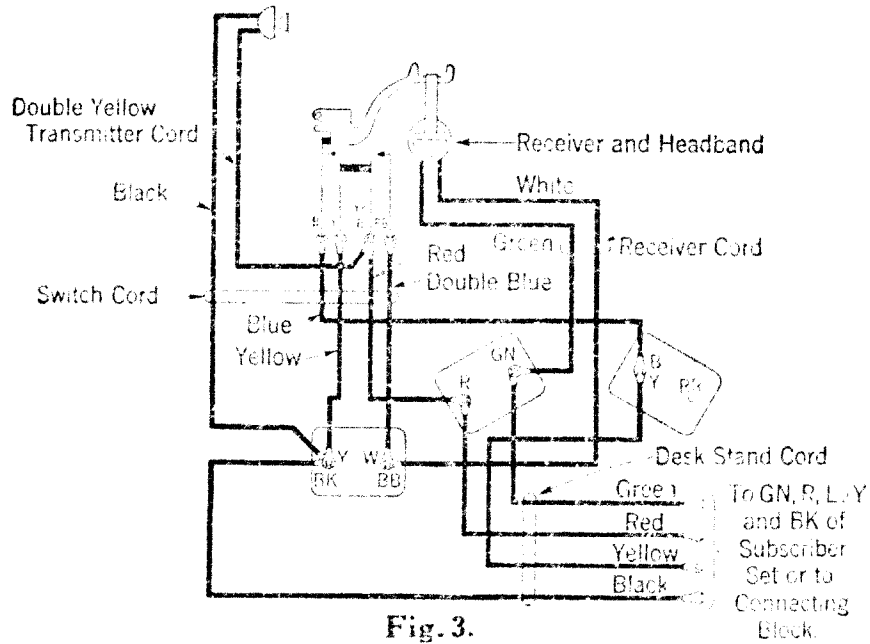


Fig. 3.

2.02 Local Battery Talking, Common Battery Signaling—Manual Stations.

151-S DESK STAND

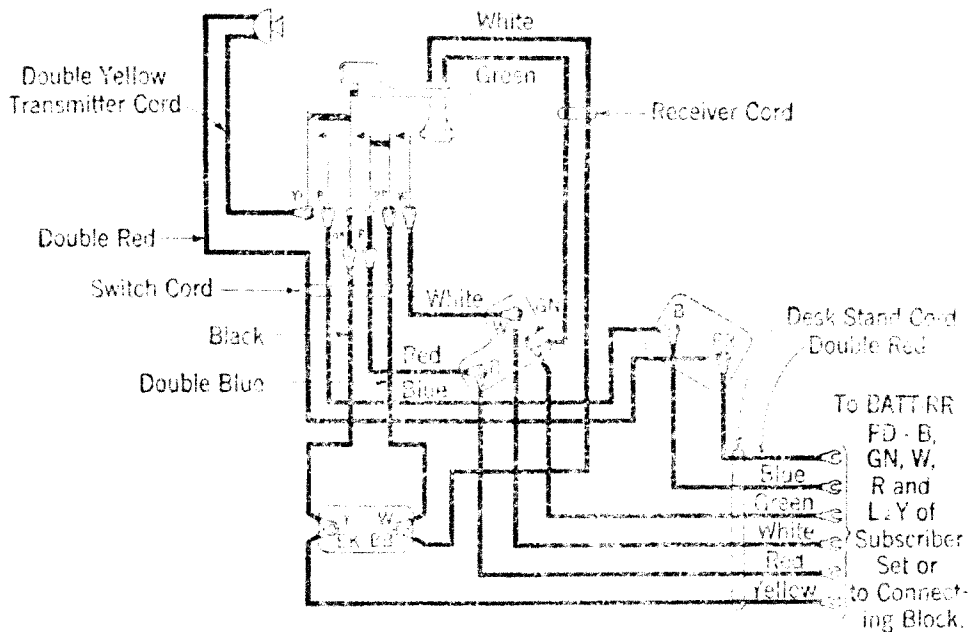


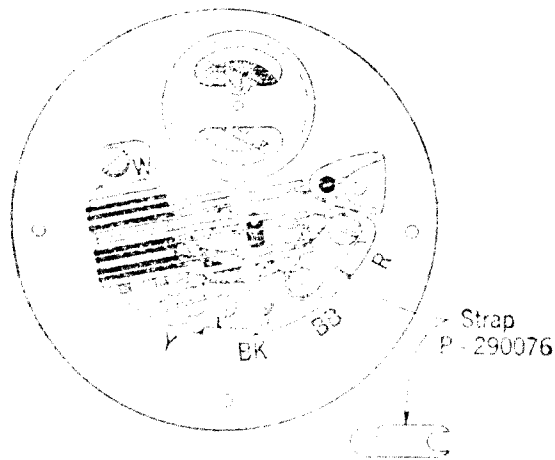
Fig. 4.

3. DIAL STATION CONNECTIONS

General

3.01 Figures 6 to 10 inclusive show connections for desk stands employing the 2A type dial. If the 4H or 2H type dial is used, it is necessary to strap terminals BB and R as shown in Fig. 5.

4H OR 2H TYPE DIAL



SCHEMATIC DRAWINGS SHOWING
4H OR 2H TYPE DIAL 2A TYPE DIAL

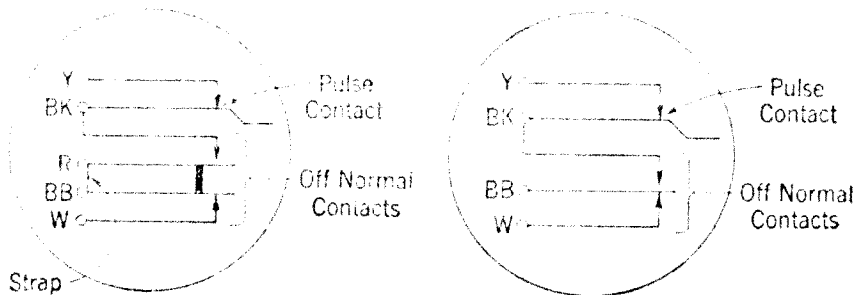


Fig. 5.

3.02 All Dial Stations Except:
 Local Battery Talking, Common Battery Signaling,
 Two-Party Selective Message Rate—Party on Tip,
 No. 1 Residence System and No. 2 P.B.X.,
 No. 750-A Private Branch Exchange Key Stations.

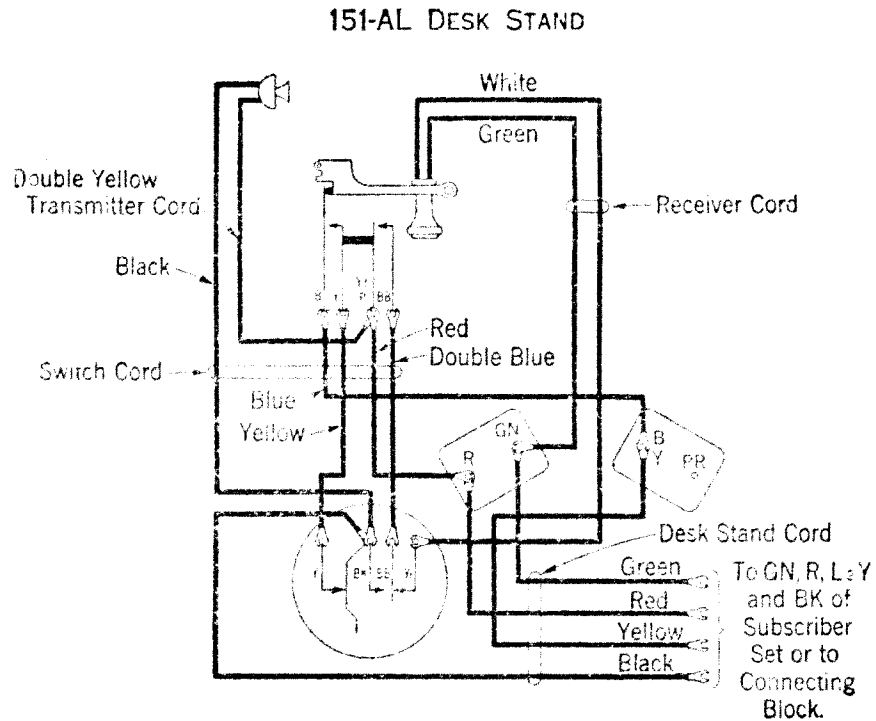


Fig. 6.

152-AB DESK STAND

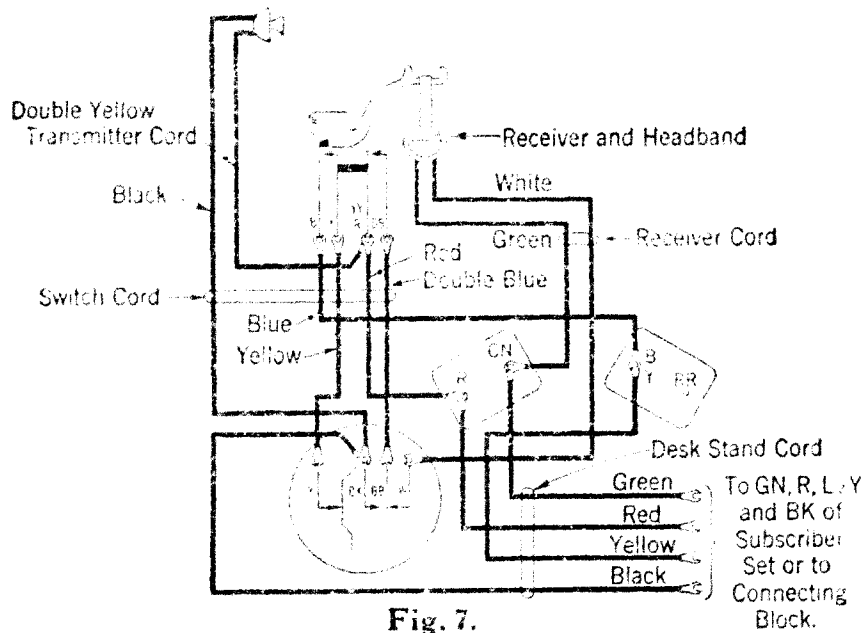


Fig. 7.

3.03 Local Battery Talking, Common Battery Signaling—
Dial Stations.

151-S DESK STAND

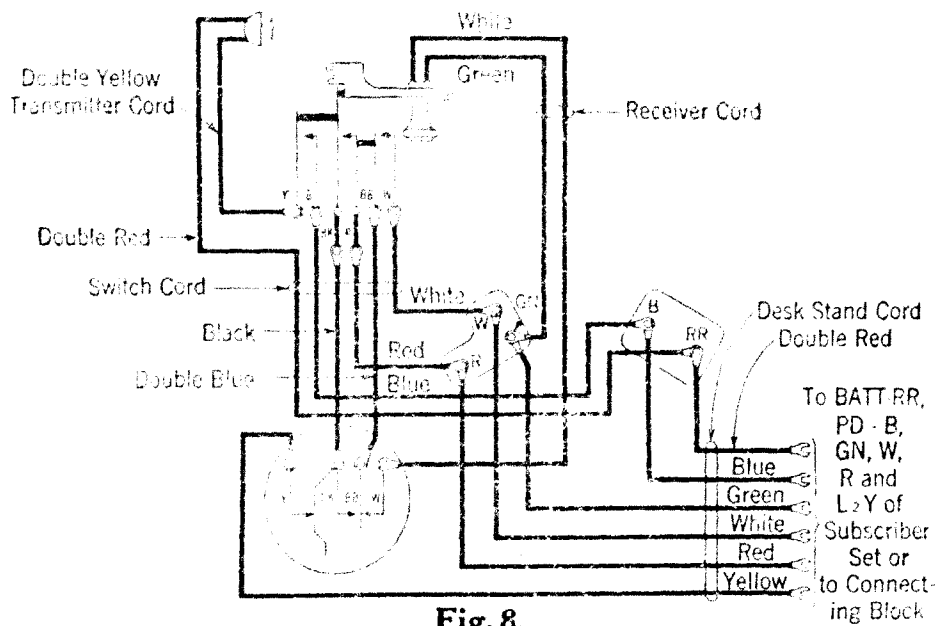


Fig. 8.

3.04 Two-Party Selective Message Rate—Party on Tip—
Dial Stations.

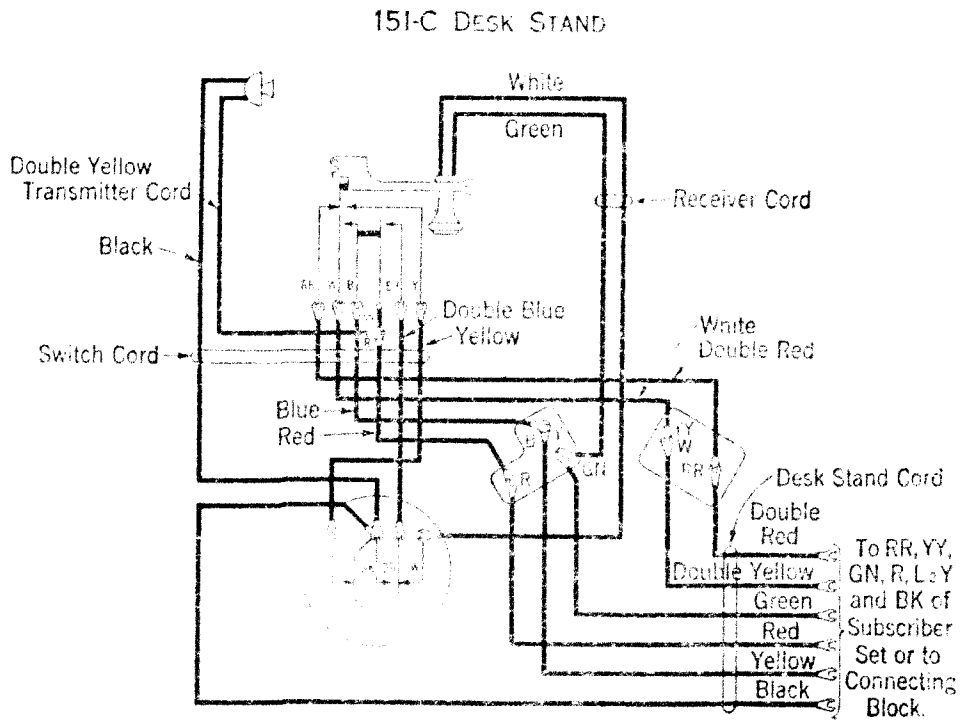


Fig. 9.

3.05 No. 750-A Private Branch Exchange Key Stations.

151-R DESK STAND

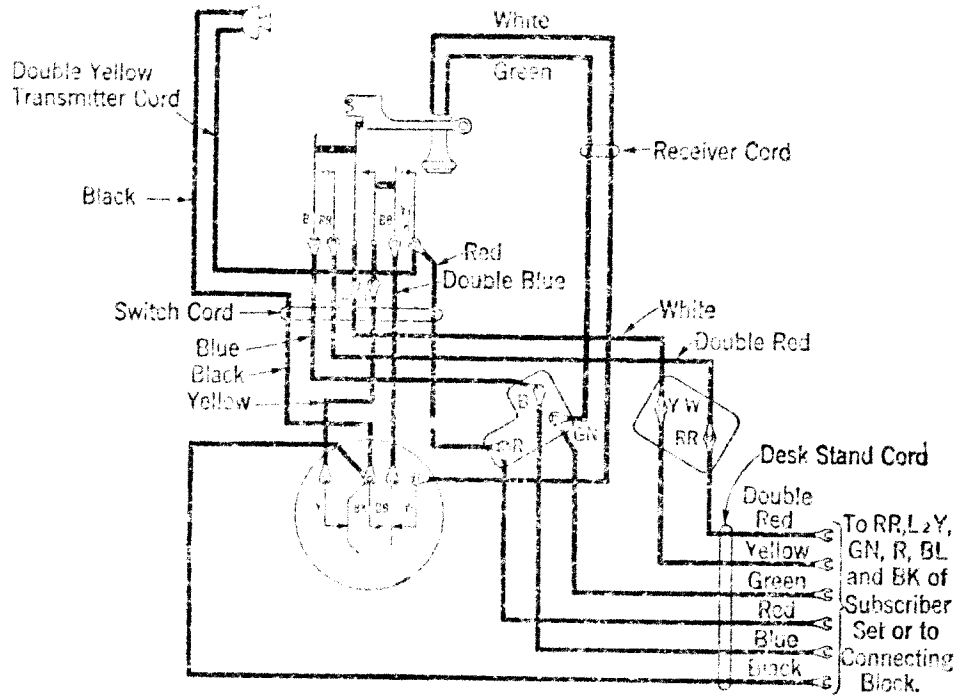


Fig. 10.