

SIDETONE HAND TELEPHONE SETS

101, 102, 103, 104 and 105 TYPES

CONNECTIONS

1. GENERAL

1.01 This section covers the connections for the 101, 102, 103, 104 and 105 types of hand telephone sets when such sets are used at regular manual or dial common battery stations. These sets are for use with sidetone subscriber sets and cannot be used with anti-sidetone subscriber sets.

1.02 This practice is reissued to change the connections of the 103 type sets to have the MHE cord from "R" on the dial connected to "B" instead of "R" on the plunger springs. The assembly code numbers for "B" type hand telephone sets are omitted, since they are no longer required for field use.

1.03 The combination of an A or B type hand set mounting with an E1B type hand set does not have a hand telephone set assembly code, but the connections for such combinations are also shown herein.

1.04 Figures showing the cord connections for these types of hand telephone sets are arranged by the class or classes of service for which such sets are used.

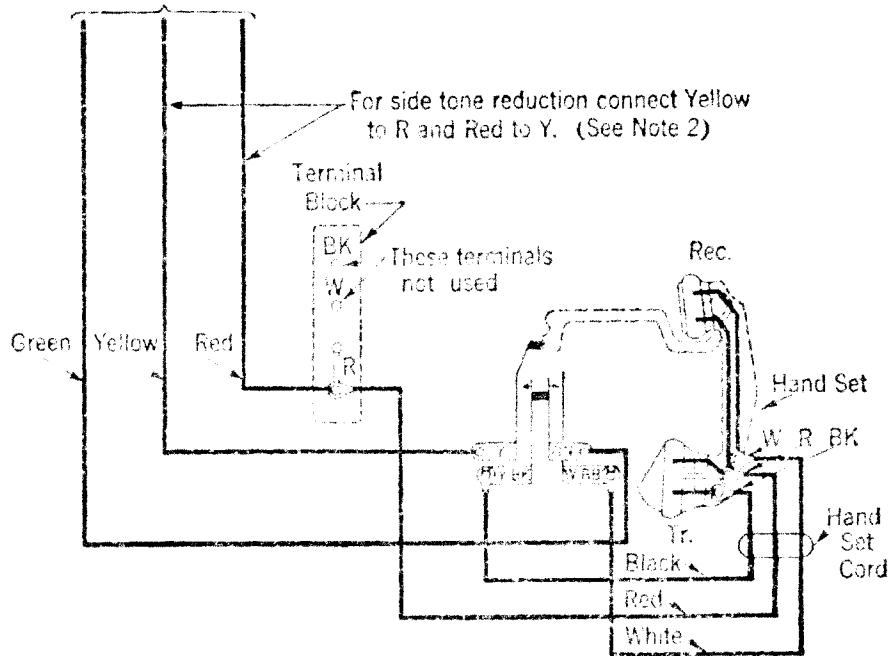
1.05 Some A type hand set mountings originally had a .006 m.f. condenser mounted in the base. Where these mountings are used with a hand set having a condenser in the transmitter, the condenser in the base should be removed.

2. MANUAL STATION CONNECTIONS

- 2.01 All Manual Stations Except:
No. 1 Residence System.
No. 2 P.B.X.

101A TYPE HAND TELEPHONE SET

To GN, L, Y and R
of Subscriber Set or
to Connecting Block (See Note 1)

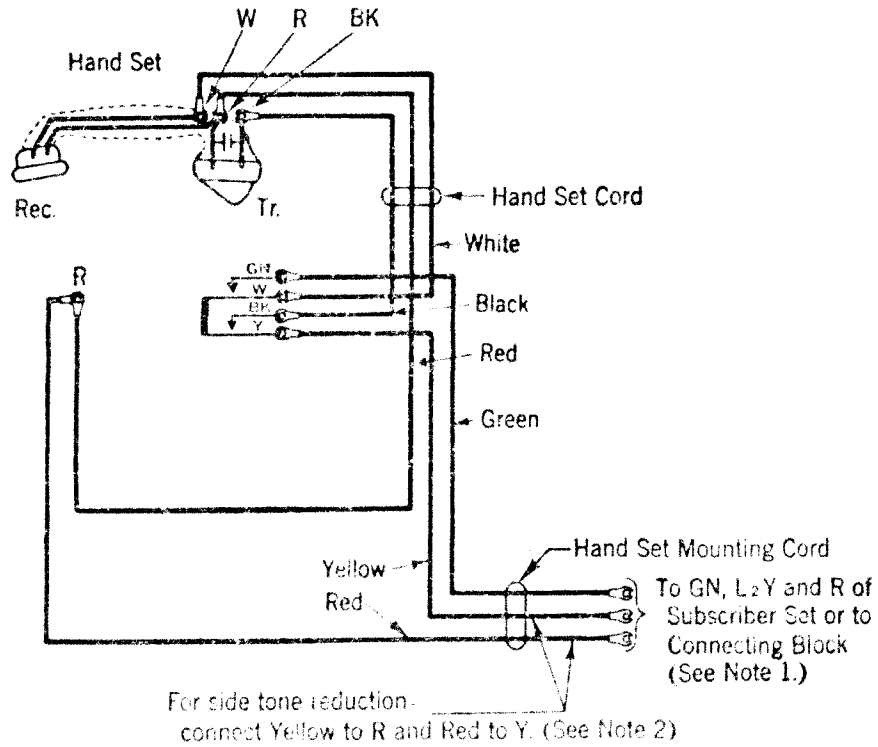


Note 1: When used at Local Battery Talking, Common Battery Signaling Stations
connect Green of hand set mounting cord to L & GN
connect Yellow of hand set mounting cord to Y
connect Red of hand set mounting cord to R

Note 2: Does not apply at Local Battery Talking, Common Battery Signaling Stations

Fig. 1.

102A TYPE HAND TELEPHONE SET
AND A1 OR B1 TYPE HAND SET MOUNTING WITH E1B TYPE HAND SET



Note 1: When used at Local Battery Talking, Common Battery Signaling Stations
connect Green of hand set mounting cord to L₂ GN
connect Yellow of hand set mounting cord to Y
connect Red of hand set mounting cord to R

Note 2: Does not apply at Local Battery Talking, Common Battery Signaling Stations

Fig. 2.

2.02 No. 1 Residence System and No. 2 P.B.X.—Manual Stations.

104A TYPE HAND TELEPHONE SET
AND A3 OR B3 TYPE HAND SET MOUNTING WITH E1B TYPE HAND SET

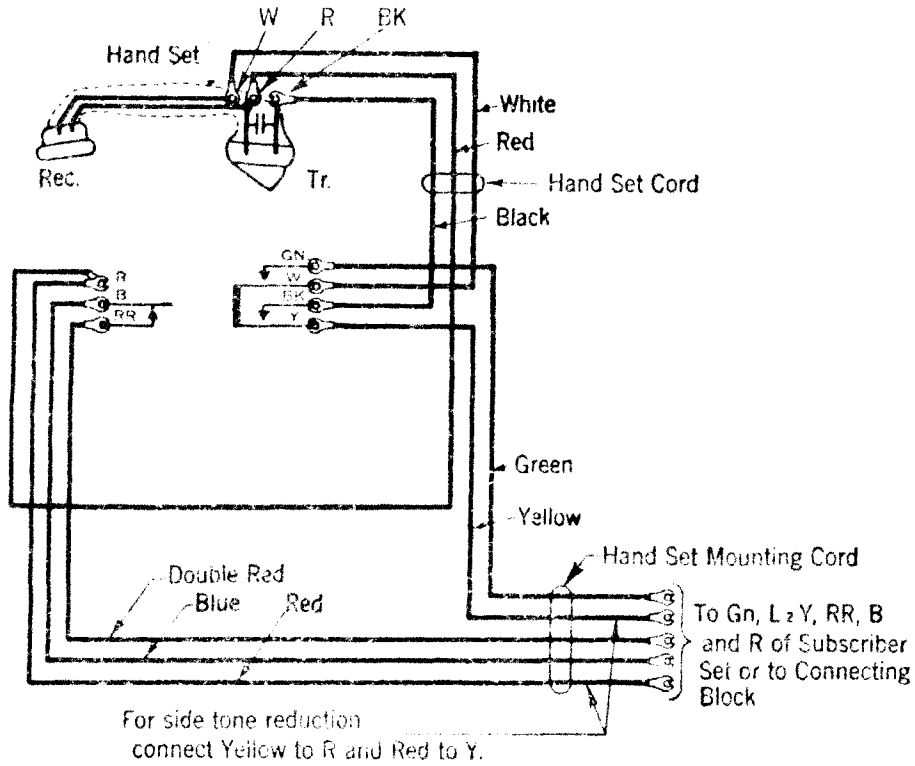


Fig. 3.

3. DIAL STATION CONNECTIONS

3.01 All Dial Stations Except:

**Two-Party Selective Message Rate—Party on Tip,
No. 750A P.B.X. Key and Control Stations,
Local Battery Talking, Common Battery Signaling,
No. 1 Residence System and No. 2 P.B.X.**

101B, 101C AND 101D TYPES OF HAND TELEPHONE SETS

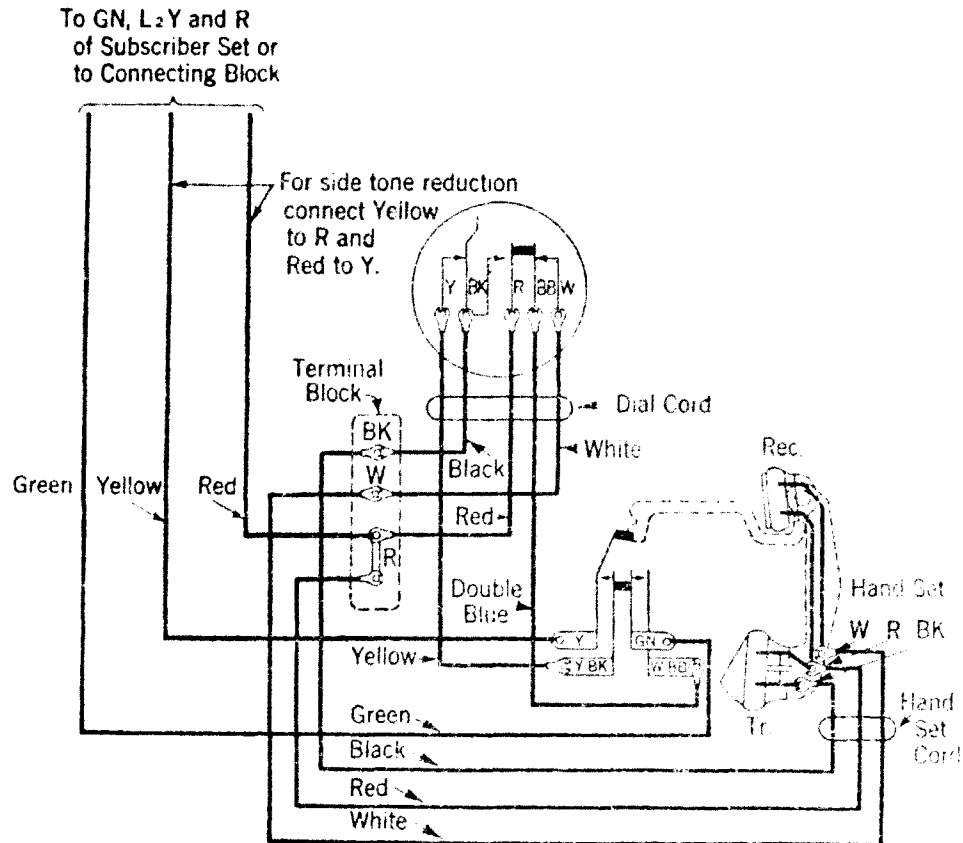


Fig. 4.

102B, 102C, 102D TYPES OF HAND TELEPHONE SETS
AND A1 OR B1 TYPE HAND SET MOUNTING WITH E1B TYPE HAND SET

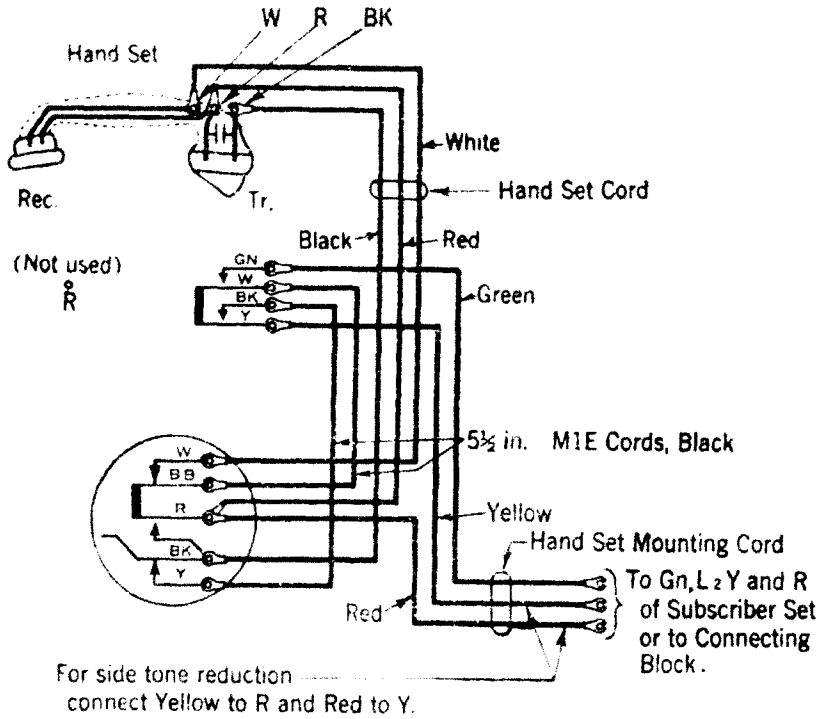


Fig. 5.

3.02 Two-Party Selective Message Rate—Party on Tip—Dial Stations

103A, 103B, 103C TYPES OF HAND TELEPHONE SETS
AND A2 OR B2 TYPE HAND SET MOUNTING WITH E1B TYPE HAND SET

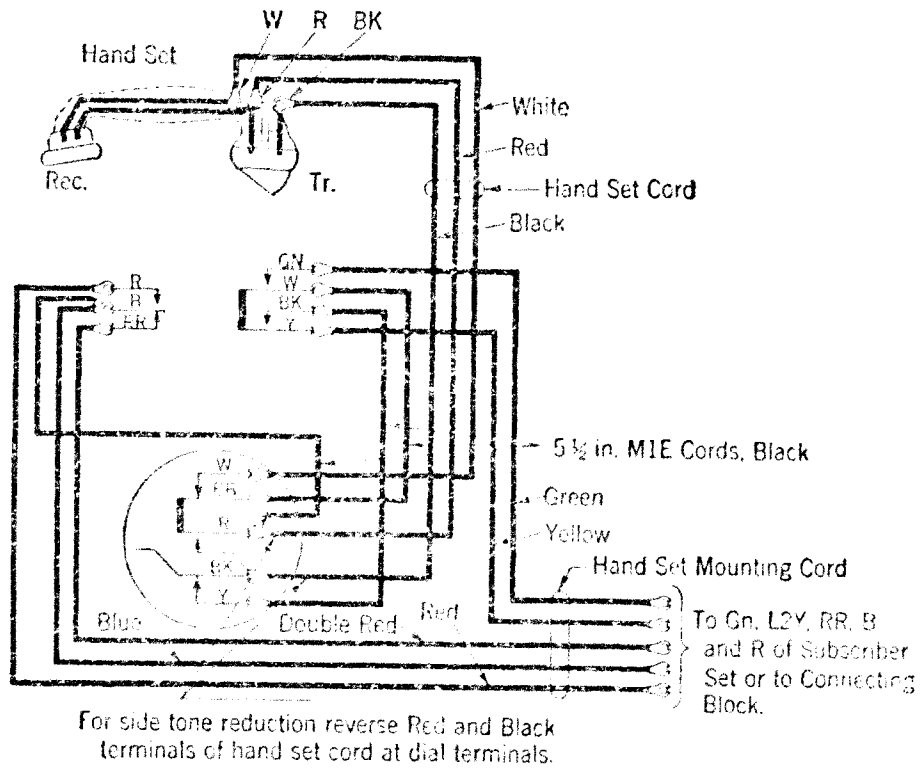


Fig. 6.

3.03 No. 750A P.B.X. Key and Control Stations

105 TYPE HAND TELEPHONE SET

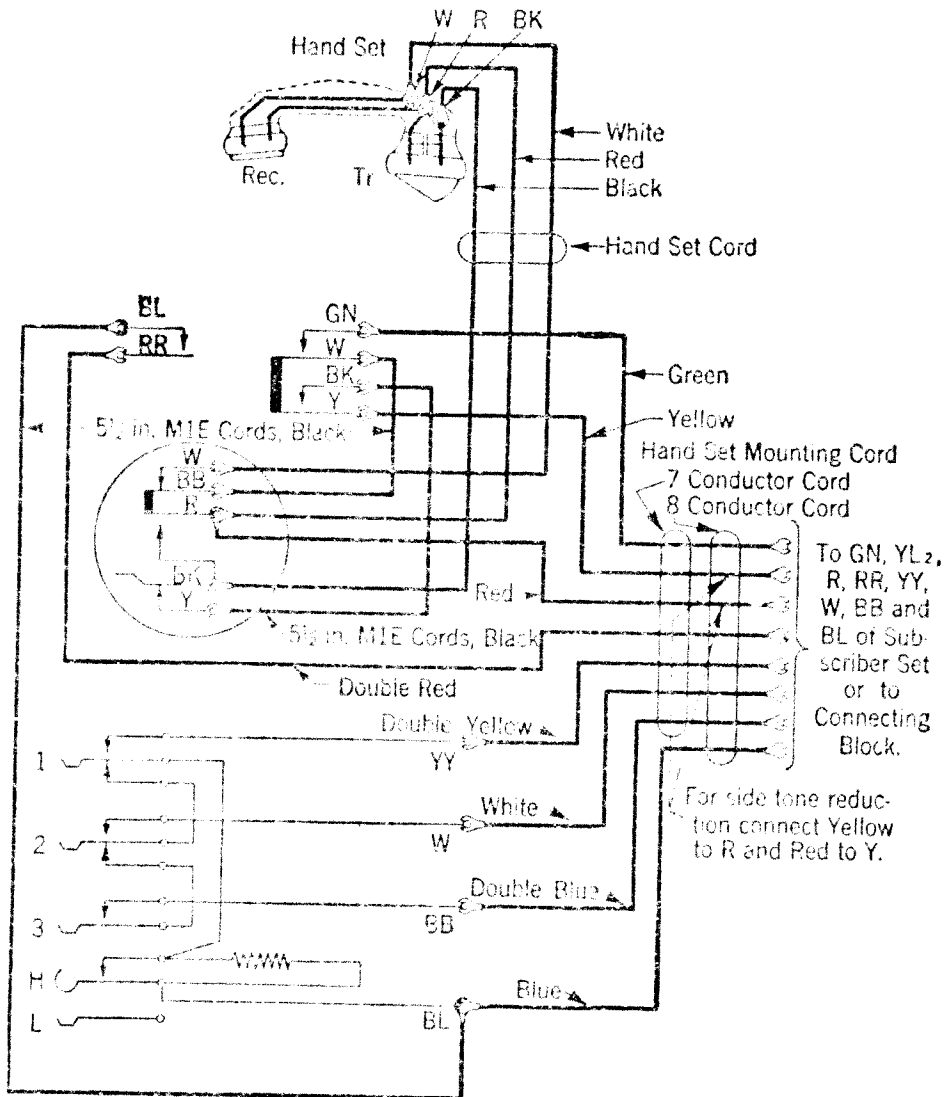


Fig. 7.

Note: When the 105 type of hand telephone set is installed, make the plungers of unused trunks inoperative by means of the plunger stop, a device on the under side of the plunger frame.

3.04 Local Battery Talking, Common Battery Signaling—
Dial Stations

102E, 102F, 102G TYPES OF HAND TELEPHONE SETS
AND A1 OR B1 TYPE HAND SET MOUNTING WITH E1B TYPE HAND SET

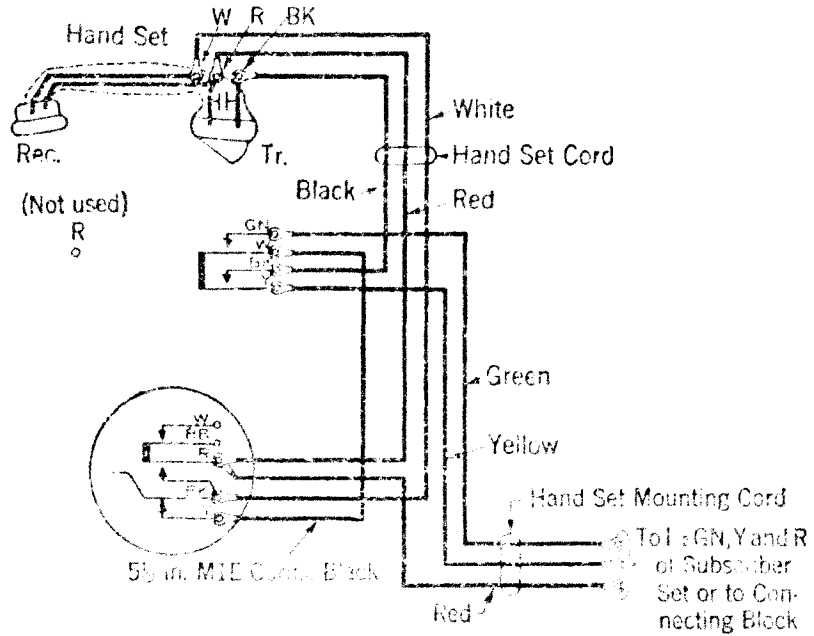


Fig. 8.

3.05 No. 1 Residence System and No. 2 P.B.X.—Dial Stations

104B, 104C, 104D TYPES OF HAND TELEPHONE SETS
AND A3 OR B3 TYPE HAND SET MOUNTING WITH E1B TYPE HAND SET

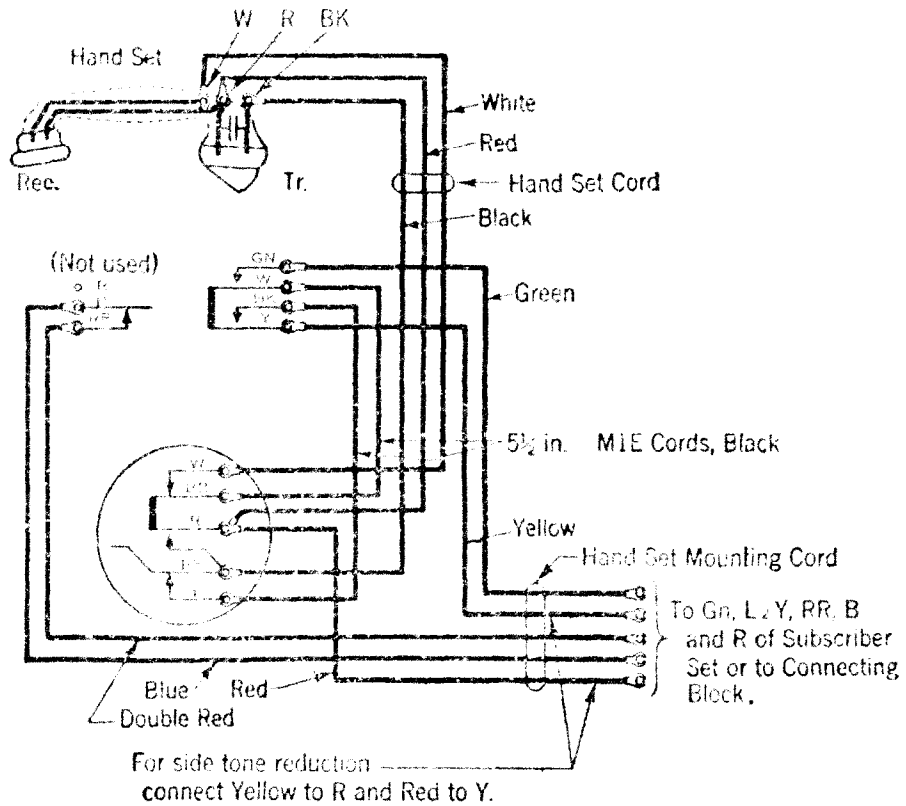


Fig. 9.