

SUBSCRIBER SETS — 634BC AND 684BC
COMMON BATTERY — INDUCTION COIL TYPE — CONNECTIONS

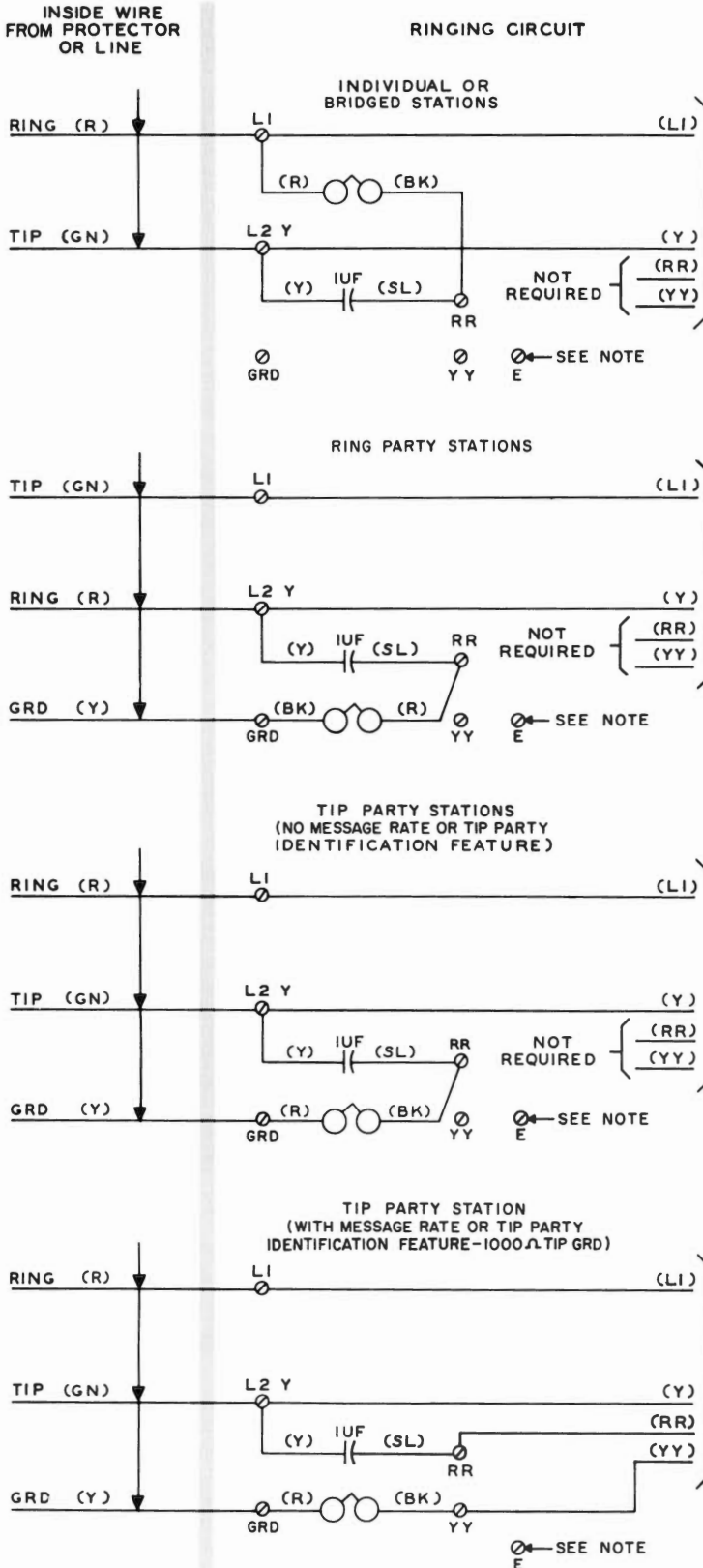
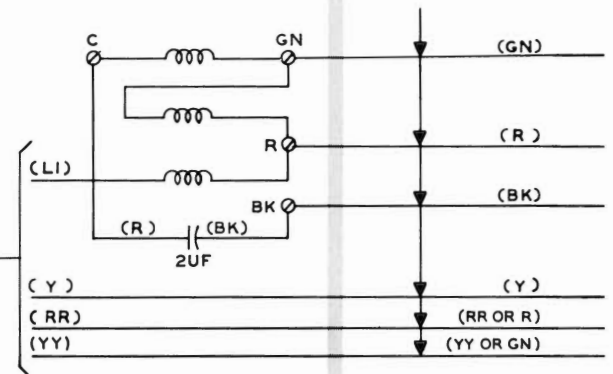


TABLE A — ASSOCIATED APPARATUS

Class of Service	Hand Telephone Sets	
	Hangup Type	Desk Type
Individual Lines 2-Party Full Selective 4-party Semiselective Multiparty Divided Code Regular PBX Stations 750A and 755A Keyless Stations	201A, B, C, D 211A, B, C, D, J, L 212A, B, C, L 213A, B, C, E	202A, B, C, D 203A, B, C, D, E, F 215A, B, C, D
Message Rate or Tip Party Identification-Party on Tip for 2-Party Full Selective*	212A, B, C, L	203A, B, C, D, E, F
* MR —All offices ZR —All offices AMA—Standard XBR		

TALKING CIRCUIT

MTG CORD OR LOCAL WIRING



Note: E terminal is provided only on 684BC Subscriber Set.

TABLE B — CONNECTIONS

Wire or Lead	Indiv or Bridged	Ring Party Stations	Tip Party Stations	
			No message rate or tip party identification required	MR —All offices ZR —All offices AMA—Std XBR
Inside Wire from Protector or Line	Ring	R	L1	L1
	Tip	GN	L2Y	L2Y
	Grd	Y	—	GRD
Ringer Lead (See Note)		R	RR	GRD
		BK	RR	GRD
Mounting Cord or Local Wiring		GN	GN	GN
		R	R	R
		BK	BK	BK
		Y	L2Y	L2Y
		RR or R		RR
		YY or GN	NOT REQD	YY

Note: To silence the ringer permanently, connect the red and black ringer leads to the RR terminal. On tip stations with message rate or tip-party identification feature, connect the yellow and slate ringing capacitor leads to the RR terminal.

Fig. 1 — Circuit Diagram for Connection with Hand Telephone Sets

TABLE C — CONNECTIONS

Type of Service	Subscriber Set Connections (Wire or Lead)											
Prepay Manual and Dial Type Coin Collectors	Ringer Lead		Local Wiring to Coin Collector									
	R	BK	GN	R	BK	Y	R	GN	Y			
RCVR-XMTR Types 155C, D, G, H 166C, D, G, H Hand Set Types 174C, D, G, H, CS, GS, CT, GT 176C, D, G, H, CS, GS, CT, GT	L1	RR	GN	R	BK	L2Y	L1	—	—			
Type of Service	Subscriber Set Connections (Wire or Lead)											
Postpay Manual Type Coin Collectors	Inside Wire from Protector or Line*			Ringer Lead		Local Wiring to Coin Collector						
	R	GN	Y	R	BK	GN	R	BK	Y	R	GN	Y
RCVR-XMTR Types Manual 150K, L 162A, B, C, D Hand Set Types Manual 152C, D 164C, D	L1	L2Y	—	L1	RR	GN	R	BK	L2Y	—	—	—
Type of Service	Subscriber Set Connections (Wire or Lead)											
Prepay Dial Type Coin Collectors with Dial Shorting Relay	Ringer Lead		Local Wiring to Coin Collector									
	R	BK	GN	R	BK	Y	R	GN	Y			
RCVR-XMTR Types D-178457 D-178875 Hand Set Types D-178940 D-178942	YY	RR	GN	R	BK	L2Y	YY	L1	—			

Note: All connections are shown for individual line, bridged ringing installations. If other ringing arrangements are required, refer to Fig. 1 and Table A of this section for appropriate ringer connections.

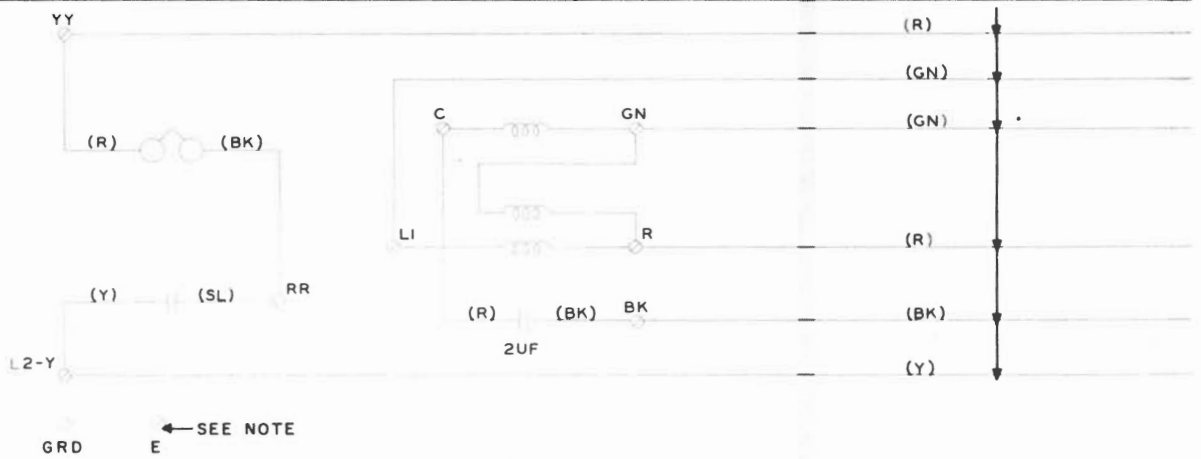
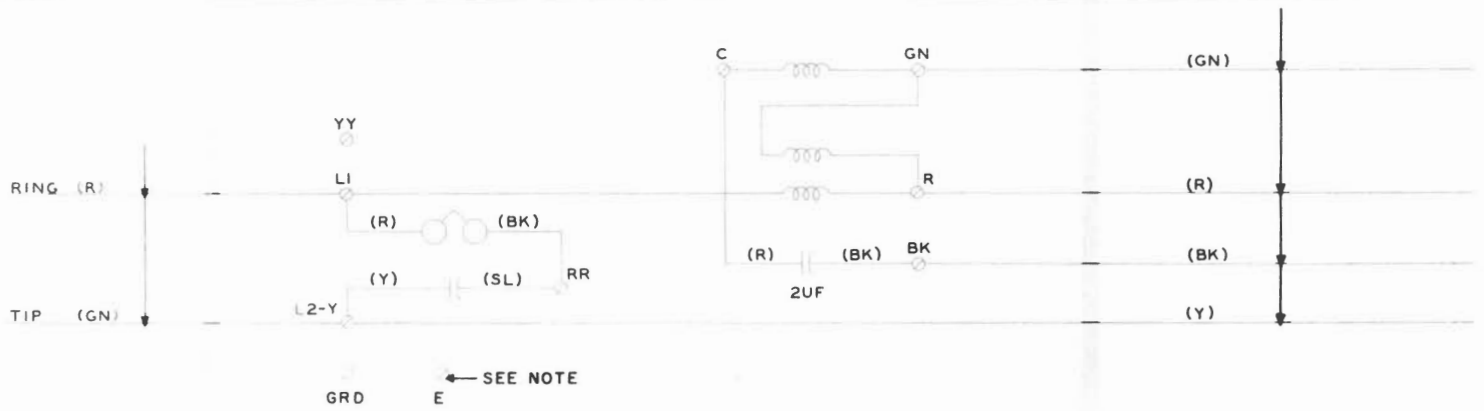
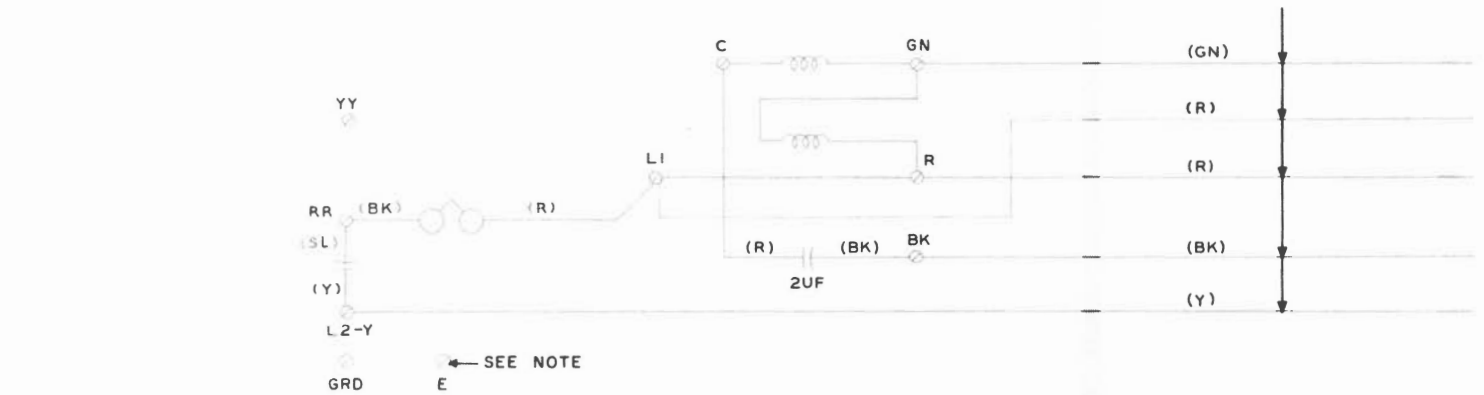
* The line wires are shown terminated in the subscriber set in the table and circuit diagram. When desired by the telephone company, they may be terminated in the coin collector set.

INSIDE WIRE TO
LINE OR
PROTECTOR

RINGING CIRCUIT

TALKING CIRCUIT

LOCAL WIRING



Note: When E terminal is not provided use D-161488 connector.

Fig. 2 — Circuit Diagram for Connection with Coin Collectors