

AMPLIFIERS—KS-16831

CONNECTIONS

1. GENERAL

1.01 This section is reissued to add Fig. 3.

2. INDEX

- Fig. 1 — KS-16831, List 1 Amplifier Connections and Options.
- Fig. 2 — KS-16831, List 3 Amplifier Connections.
- Fig. 2A — 2507S Transformer Connections.
- Fig. 3 — KS-16831, List 6 Bracket Circuit Connections.
- Table A — Options for Fig. 2.

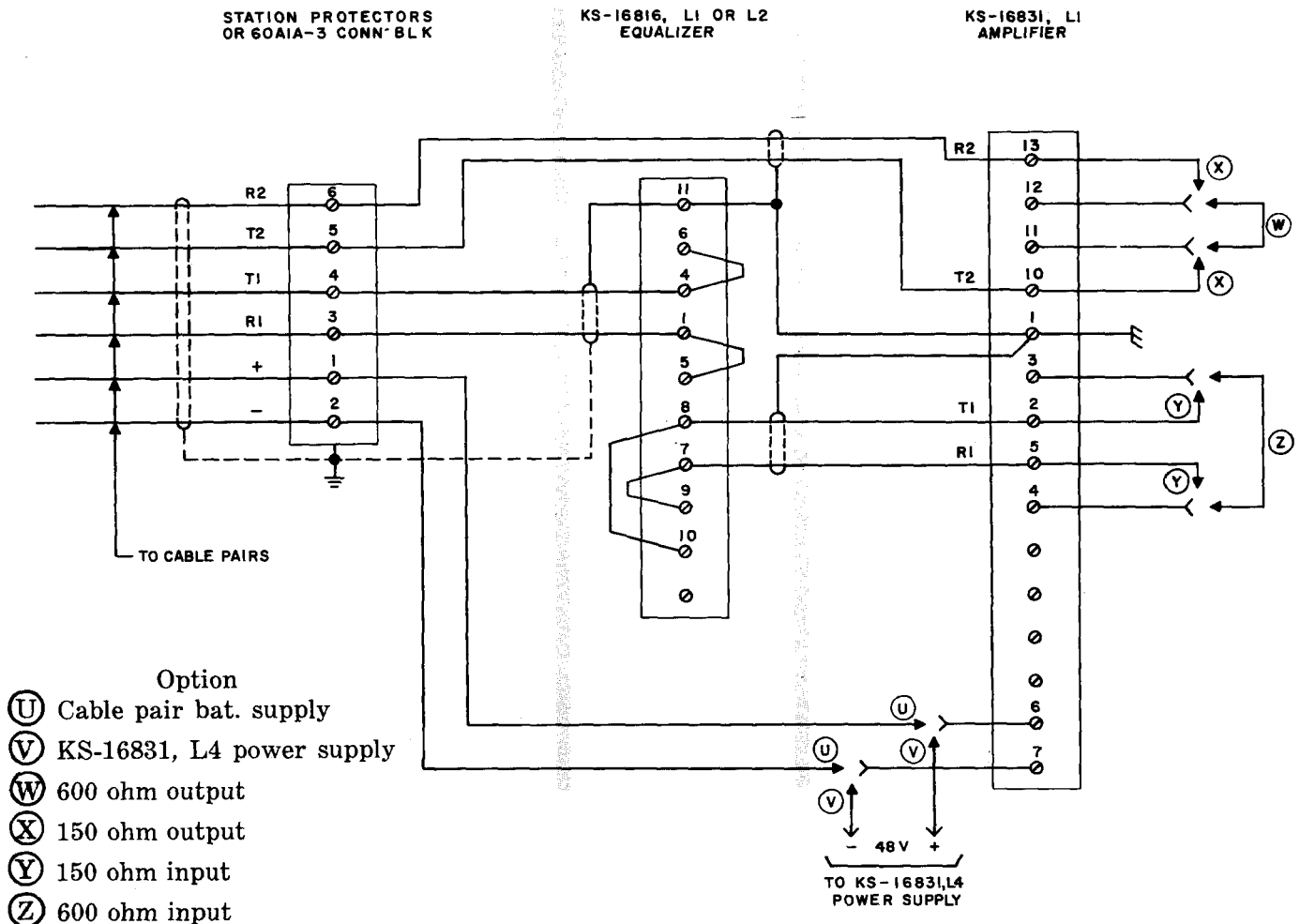


Fig. 1 — KS-16831, List 1 Amplifier, Connections and Options

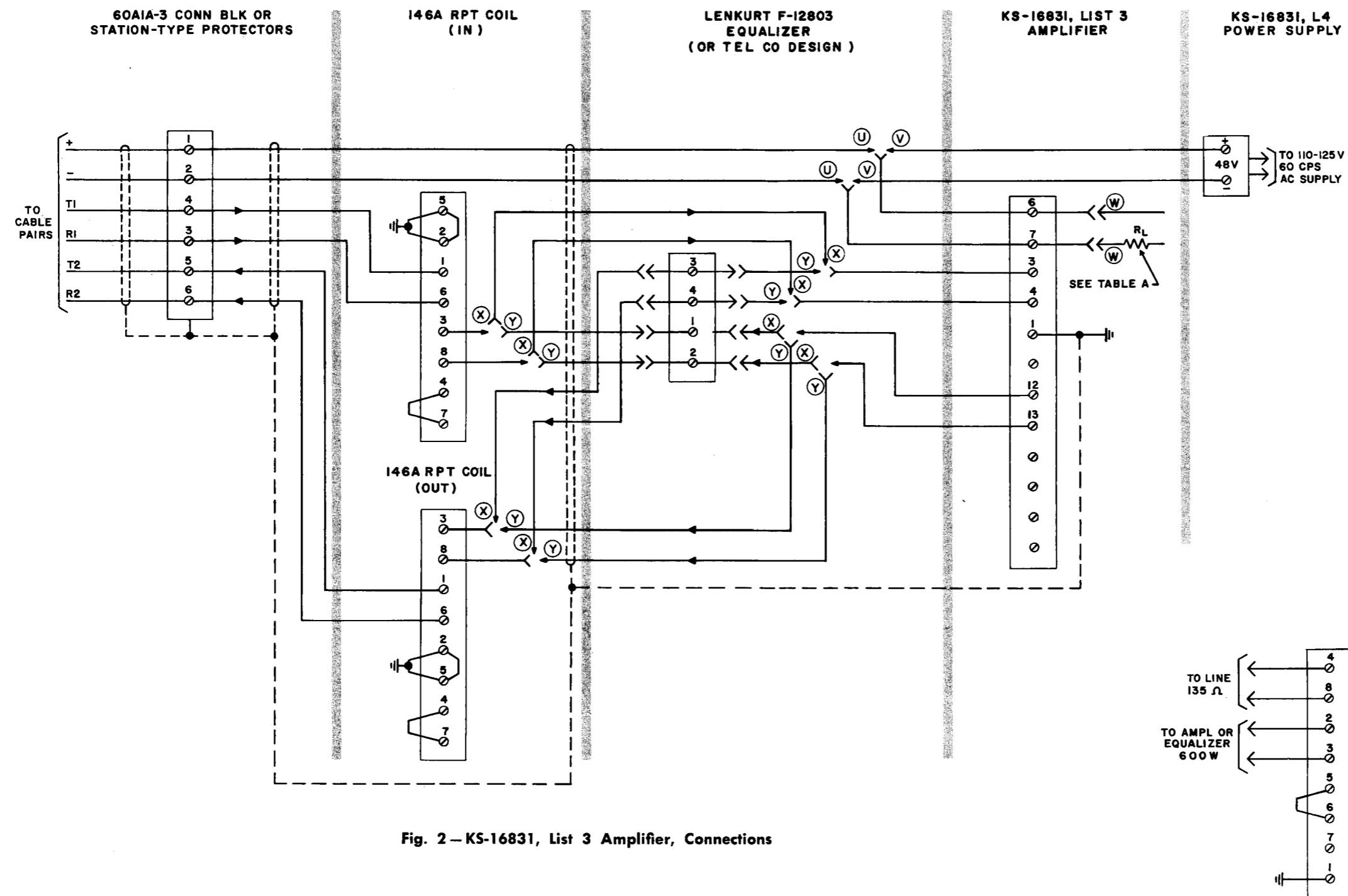


Fig. 2 - KS-16831, List 3 Amplifier, Connections

- Option
- Ⓚ Cable pair bat. supply
 - Ⓥ KS-16831, L4 power supply
 - Ⓧ Post equalization
 - Ⓨ Pre-equalization

TABLE A
OPTIONS

Number of KS-16831, L3 Amplifiers	Value of Bleeder Resistor R
1	700 ohm 5 watt
2	1500 ohm 5 watt
3	No resistor required

Note: When amplifier is used for transmis- of supergroup No. 2 (312 to 552), 2507S transformers are required in place of 146 repeat coils. Connect per Fig. 2A.

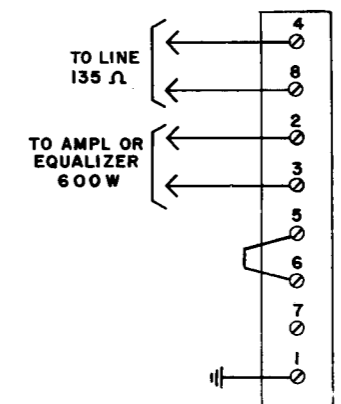


Fig. 2A - 2507S Transformer, Connections

Fig. 2 and 2A
Table A

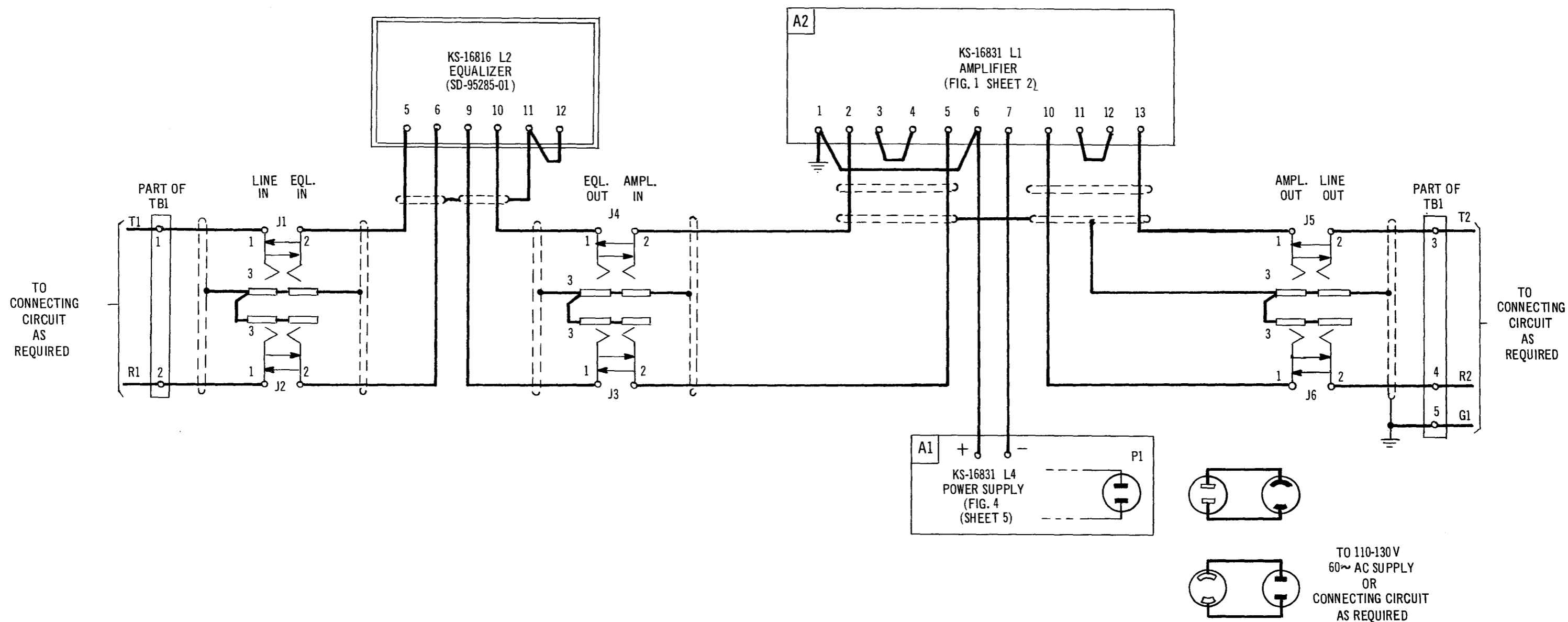


Fig. 3 - KS-16831, L6 Bracket Circuit
Connections (SD-95297-016)